

KM 3200/4000

Spare parts manual

Article number: 70009677/3

Production year: 2006
Effective: 01327/01141 ≥Mach ID
Prod. Series nr: 27386-3/27387-4



AANHAALMOMENTEN/TORQUES/ANZUGSMOMENTE/COUPLES DE SERRAGE/PARES DE APRIETE / E / I MOMENTI TORCENTI/ÅTRAGNINGSMOMENT/MOMENTER/ TILTREKKINGSMOMENTER

- NL** Richtlijnen voor aanhaalmomenten (in Nm) voor zelfborgende moeren, zeskantbouten en moeren.
D Richtlinien für Anzugsmomente (in Nm) für selbstsichernde Muttern, Sechskantschrauben und muttern.
ES Directrices para los pares de apriete (en Nm) para tuercas autoblocantes, tornillos hexagonales y tuercas.
S Riktlinjer för åtdragningsmoment (i Nm) för självlåsand bultar, sexkantsbultar och muttrar.
N Retningslinjer for tiltrekkingsmomenter (i Nm) for selvlåsende mutre, sekskantskruer og mutre.

- GB** Directives for torques (in Nm) for self-locking nuts, hexagonal bolts and nuts.
F Directives relatives aux couples de serrage (en Nm) pour les écrous à auto-blocage, les boulons à six et les écrous.
I Linee guida riguardanti i momenti torcenti (espressi in Nm) per dadi autobloccanti, bulloni esagonali e dadi.
DK Retningslinier for momenter (i Nm) for selvlåsende møtrikker, hexagon bolte og møtrikker.

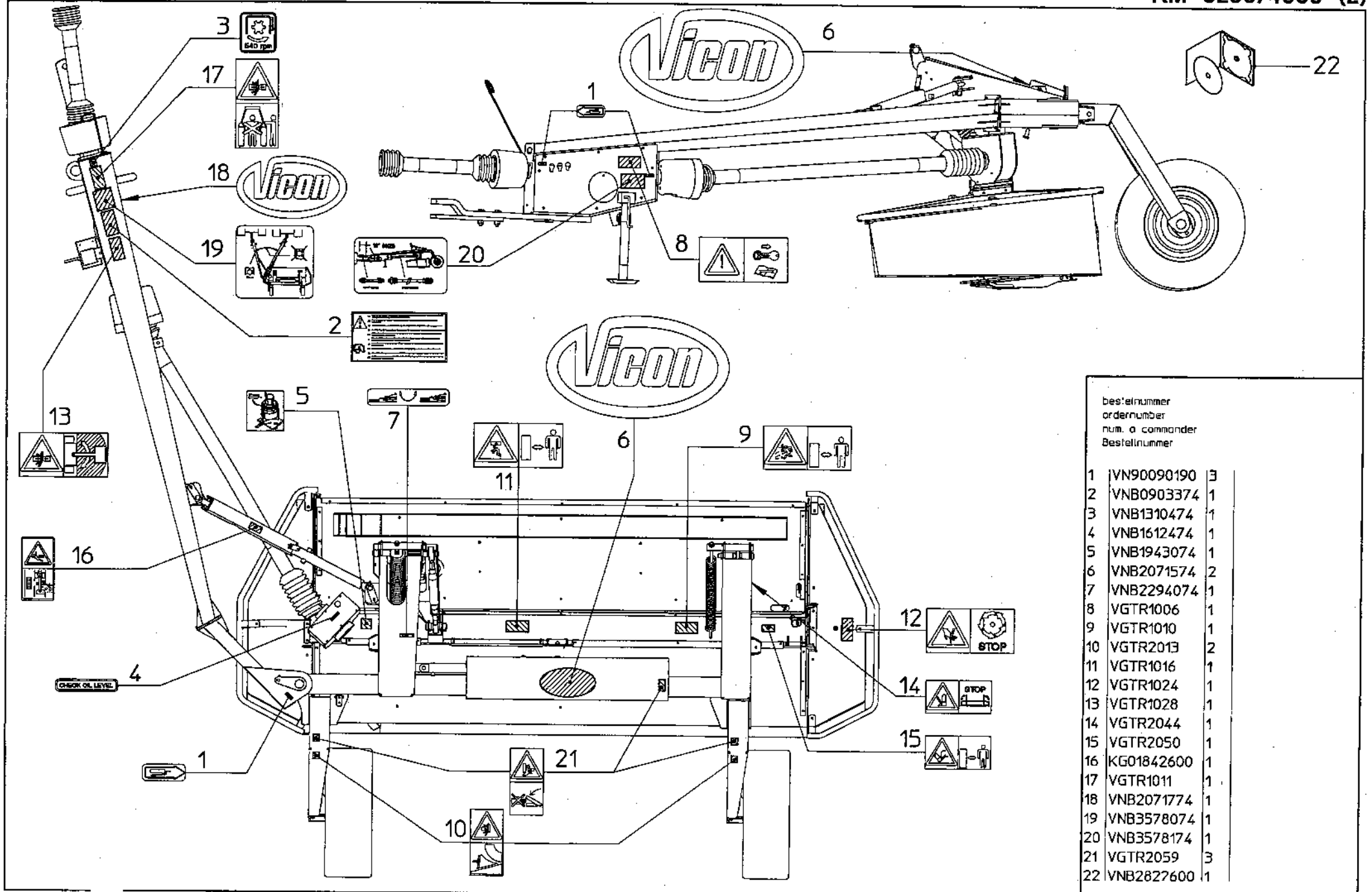
KWALITEIT/QUALITY/QUALITÄT QUALITÉ/CALIDAD/QUALITÀ/KVALITET	4.6		8.8		10.9		12.9	
	0,10	0,13	0,10	0,13	0,10	0,13	0,10	0,13
Wrijving/Friction/Reibung/Frottement/ Fricción/Frizione/Friktion/Friksjon *								
Schroefdraad/Thread/Gewinde/Filetage Rosca/Filettatura/Gänga/Størrelse/ Gjenger								
M5	1,7	2	5	6	7	9	8	10
M6	3	4	9	10	13	15	15	18
M8	8	9	21	25	31	36	36	42
M10	16	19	40	50	60	70	70	85
M12	27	32	70	85	105	120	120	145
M14	42	50	115	135	165	195	195	230
M16	65	76	175	210	260	300	300	350
M18	90	110	250	290	350	420	410	490
M20	125	150	350	420	500	600	580	700
M22	170	200	470	560	670	800	780	930
M24	210	250	600	710	860	1020	1000	1180

- * **NL** De wrijvingscoëfficiënt van 0,10 geldt voor geoliede plaat, gietijzer, geharde vlakken, vette schroefdraad, etc. De hogere waarde van 0,13 geldt voor een droge plaat. Uitzonderingen op deze tabel zijn vermeld in het onderdelen- en/of instructieboek. Aanhaalmomenten voor bouten en moeren met gekartelde onderkant, zoals Tensilock en Whizlock, 10% extra.
- * **GB** The friction coefficient of 0.10 applies to oiled sheet, cast iron, hardened surfaces, greasy thread, etc. The higher value of 0.13 applies to dry sheet. Exceptions to this table are stated in the parts- and /or instruction manual. Torques for bolts and nuts with a knurled underside, like Tensilock and Whizlock, 10% extra.
- * **D** Der Reibungskoeffizient von 0,10 gilt für geölte Flächen, Gußeisen, gehärtete Flächen, gefettetes Gewinde usw. Der höhere Wert von 0,13 gilt für trockene Flächen. Ausnahmen zu dieser Tabelle sind im Ersatzteilhaft und/oder in der Betriebsanleitung. Anzugsmomente für Schrauben und Muttern mit gerändelter Unterseite, wie Tensilock und Whizlock, zuzüglich 10% extra.
- * **F** Le coefficient de frottement de 0,10 s'applique aux surfaces huilées, à la fonte, aux surfaces trempées, aux filetages graissés etc. Le coefficient de 0,13 aux surfaces sèches. Les exceptions à ce tableau sont mentionnées dans la nomenclature des pièces et/ou dans le manuel d'emploi. Ajoutez 10% pour les boulons et écrous à partie inférieure crénelée, comme les Tensilock et les Whizlock.
- * **ES** El coeficiente de fricción de 0,10 es indicado para planchas lubricadas, hierro fundido, superficies endurecidas, rosca grasienta, etc. El valor más alto de 0,13 es para planchas secas. Las excepciones a este cuadro se mencionan en el libro de repuestos y/o manual de instrucciones. Los pares de apriete para tonillos y tuercas con cara inferior dentada, como los Tensilock y Whizlock, 10% extra.
- * **I** Il coefficiente di frizione pari a 0,10 si riferisce a superfici oliate, alla ghisa, a superfici temprate, a filettature spesse ecc. Il valore più alto, pari a 0,13, si riferisce a superfici asciutte. Tutte le eccezioni a quanto riportato in questa tabella, si trovano nel libretto dei pezzi o nel libretto delle istruzioni. I momenti torcenti per bulloni e dadi la cui parte inferiore è zigrinata, come i Tensilock (K 100) e Whizlock, sono superiori del 10%.
- * **S** Friktionskoefficienten 0,10 gäller oljad plåt, gjutjärn, härdade ytor, smorda gängor etc. Det högre värdet 0,13 gäller torr plåt. Undantag från denna tabell anges i reservdels- och/eller instruktionsboken. Åtdragningsmoment för räfflade bultar och muttrar, som Tensilock och Whizlock 10% extra.
- * **DK** Friktionskoefficienten på 0,10 gælder for smurte flader, støbejern, hærdede overflader, fedtholdige gevind etc. Den højere værdi på 0,13 gælder for tørre flader. Undtagelser til tabellen er angivet i reservedels- og/eller instruktionsbog. Når det drejer sig om momenter for bolte og møtrikker med en riflet underside, som Tensilock (K100) og Whizlock, skal der tilføjes 10% ekstra.
- * **N** Friksjonskoeffisienten på 0,10 gjelder for smurt plate, støpejern, herdede flater, innfettete gjenger etc. Den høyere verdien på 0,13 gjelder for tørr plate. Unntak fra denne tabellen er angitt i deleboken og/eller i instruksjonsboken. Tiltrekkingsmomenter for skruer og mutre med riflet underkant, som Tensilock (K100) og Whizlock 10% tillegg.

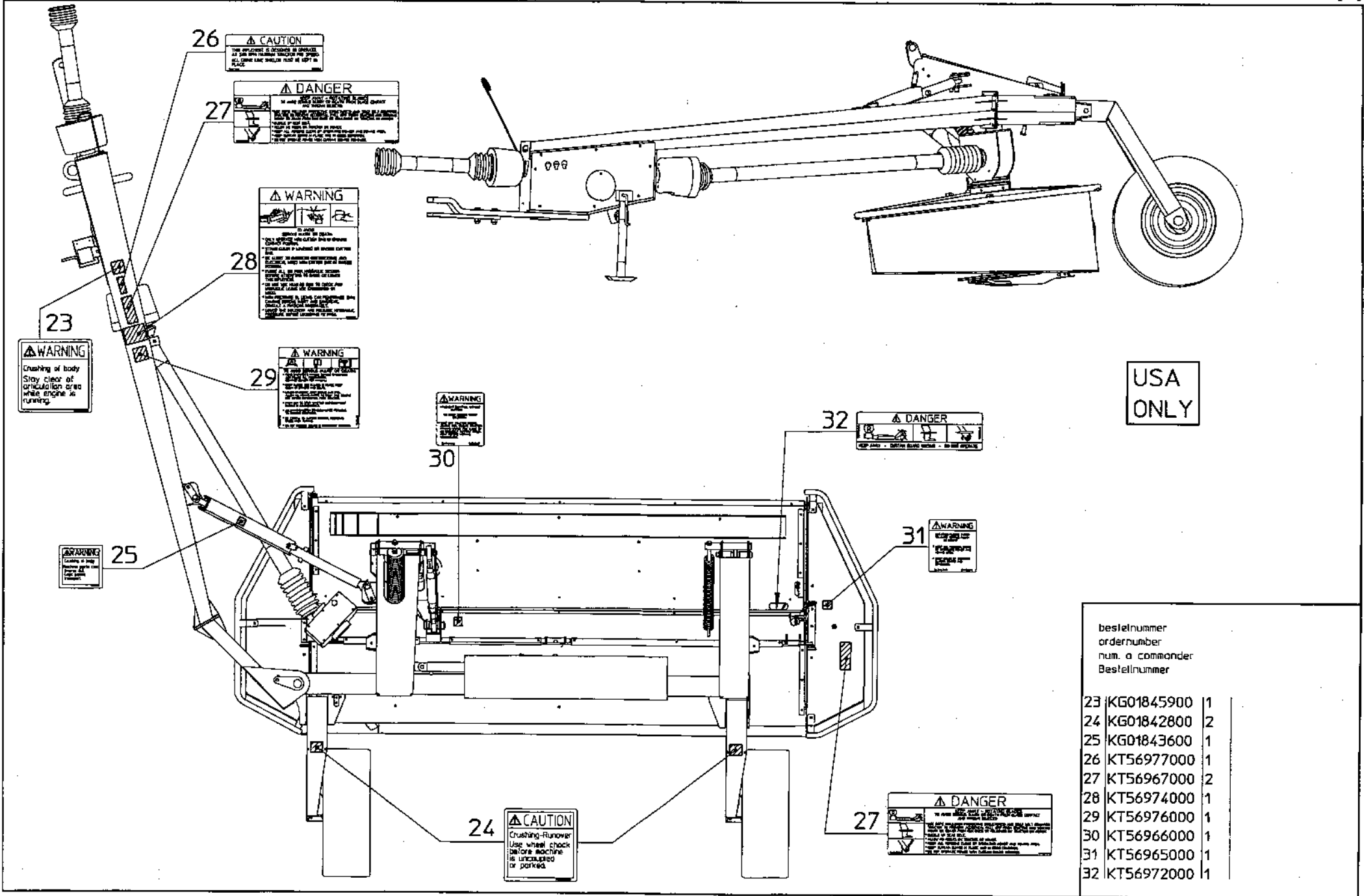
serial number 27386-27387

C13

KM 3200/4000 (2)

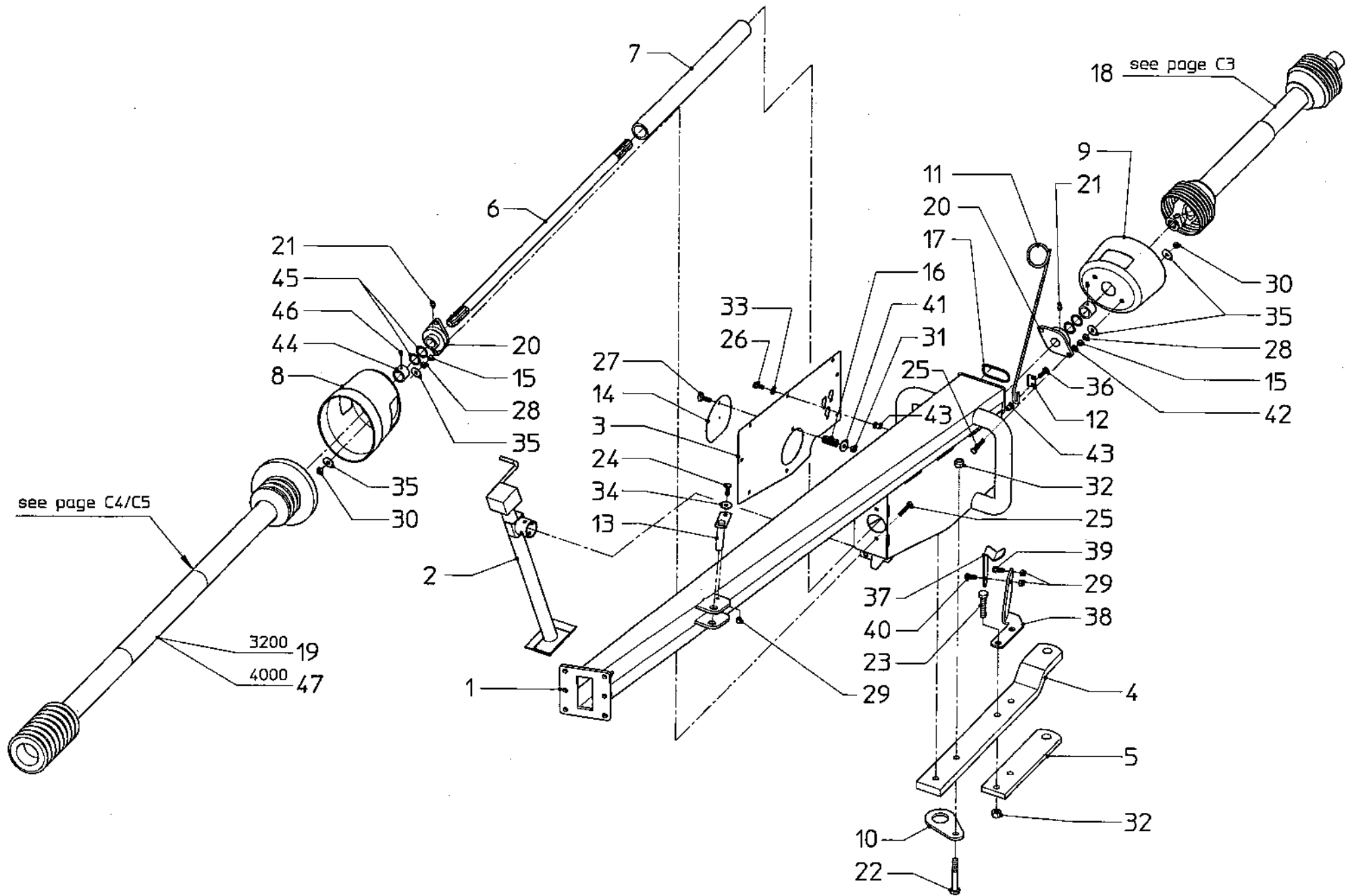


	Bestellnummer	ordernummer	num. a commander	Bestellnummer
1	VN90090190	3		
2	VNB0903374	1		
3	VNB1310474	1		
4	VNB1612474	1		
5	VNB1943074	1		
6	VNB2071574	2		
7	VNB2294074	1		
8	VGTR1006	1		
9	VGTR1010	1		
10	VGTR2013	2		
11	VGTR1016	1		
12	VGTR1024	1		
13	VGTR1028	1		
14	VGTR2044	1		
15	VGTR2050	1		
16	KG01842600	1		
17	VGTR1011	1		
18	VNB2071774	1		
19	VNB3578074	1		
20	VNB3578174	1		
21	VGTR2059	3		
22	VNB2827600	1		



USA ONLY

bestelnummer	ordernumber	num. a commander	Bestellnummer
23	KG01845900	1	
24	KG01842800	2	
25	KG01843600	1	
26	KT56977000	1	
27	KT56967000	2	
28	KT56974000	1	
29	KT56976000	1	
30	KT56966000	1	
31	KT56965000	1	
32	KT56972000	1	

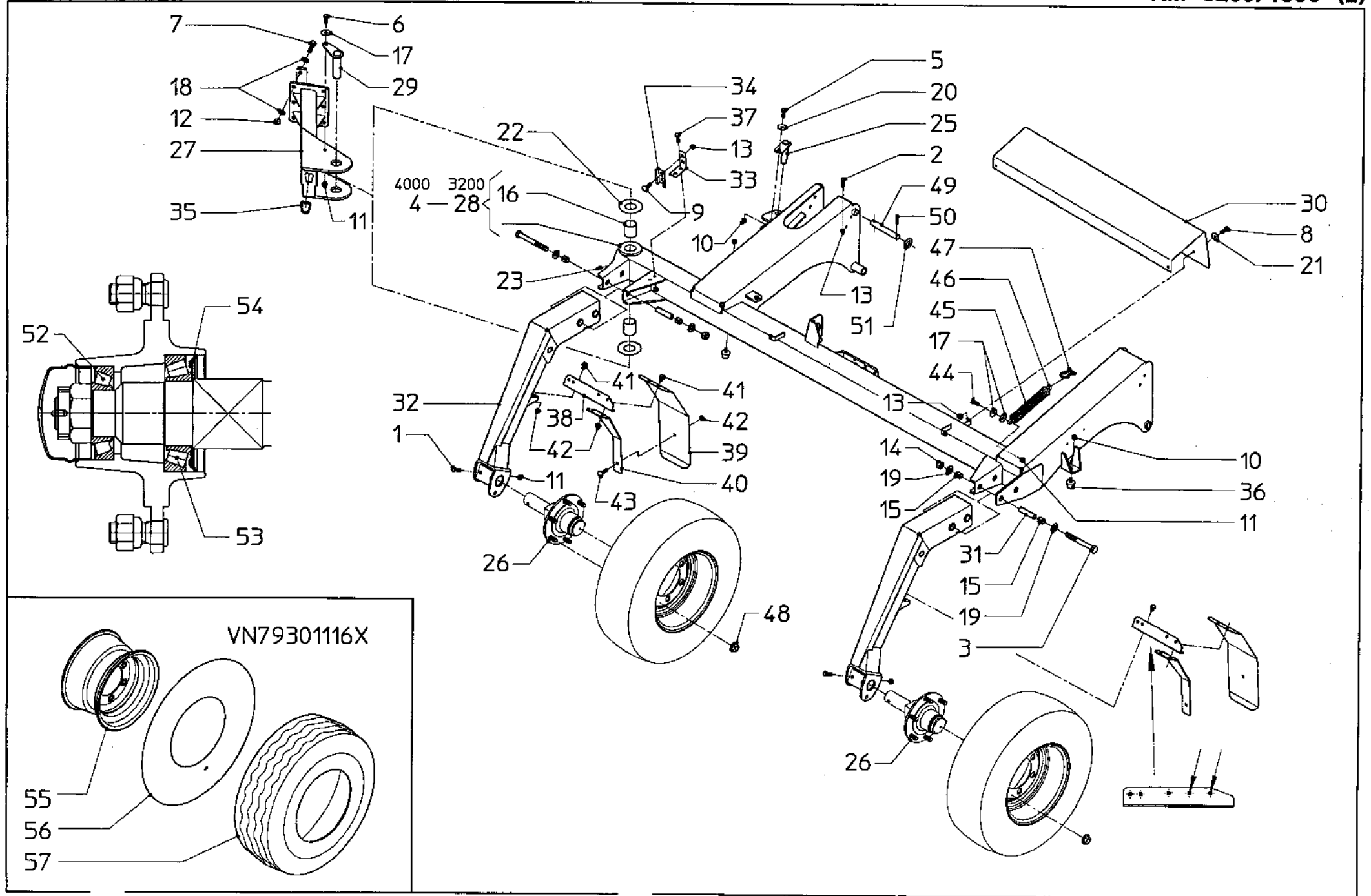


serial number 27386-27387

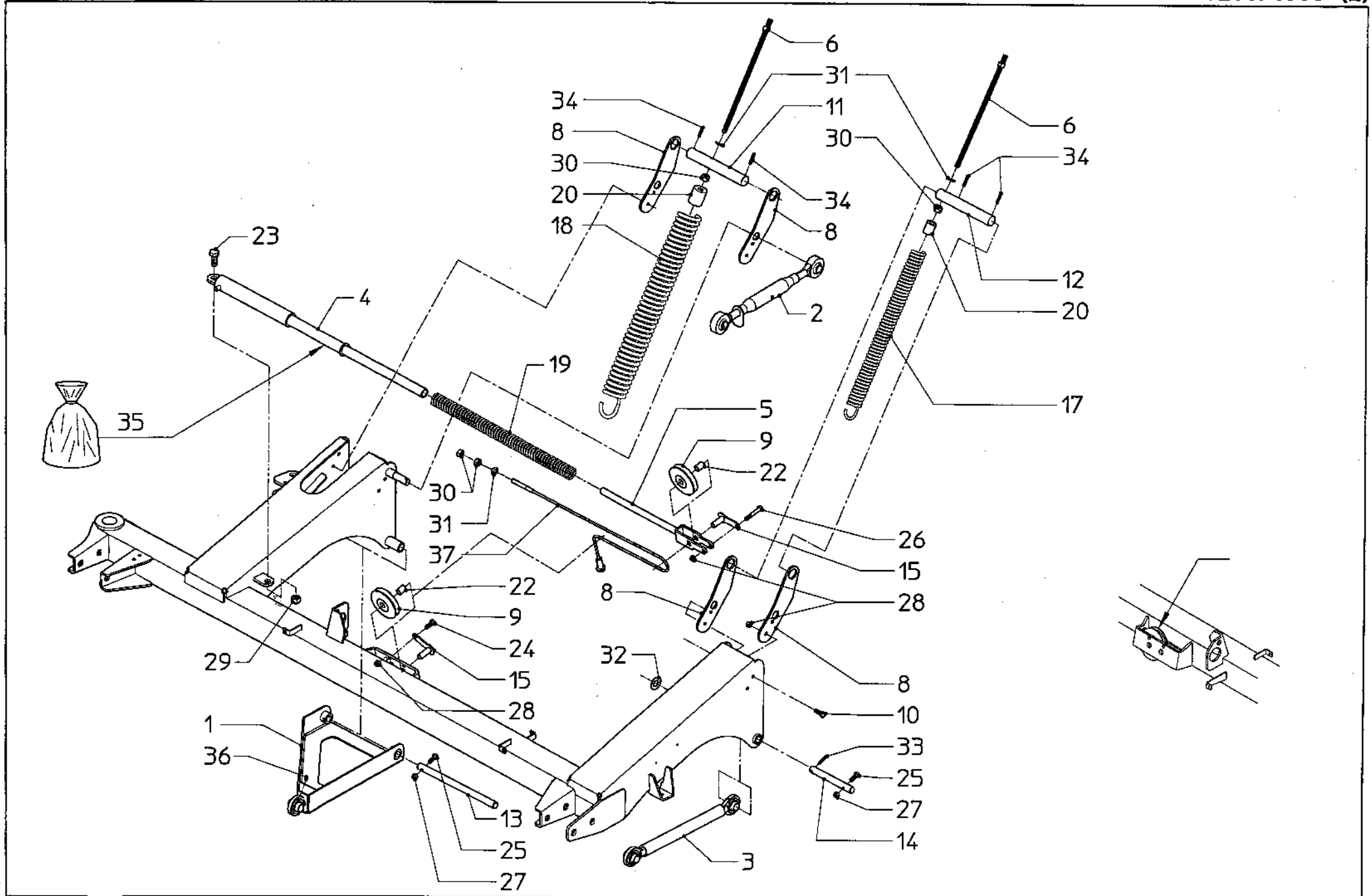
G2

KM 3200/4000 (2)

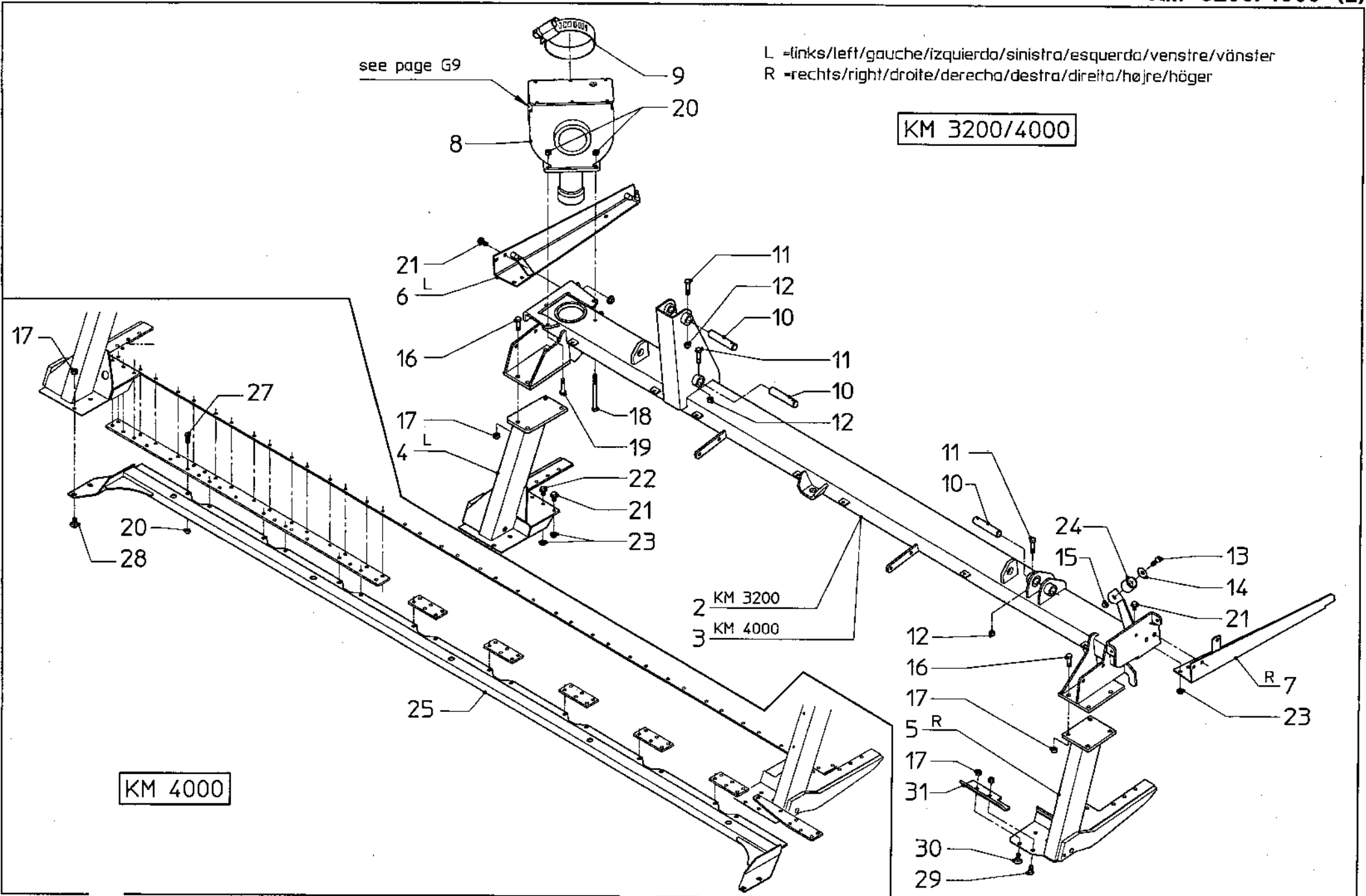
bestelnummer ordernumber num. o commander Bestellnummer				
1	VNB3812494	1	42	KG01267561 4 13
2	VNB3287478	1	43	VN30565807 10 M8
3	VNB3572794	1	44	VNB4066893 2
4	VNB3578986	1	45	VN31428085 4 35x45x1
5	VNB3278986	1	46	KG00935300 2 14.9-M8x10
6	VNB3270193	1	47	VN47100105 1 KM 4000
7	VNB3420178	1		
8	VNB3561378	1		
9	VNB3561478	1		
10	VNB3420686	1		
11	VNB3420593	1		
12	VG19017027V	1		
13	VNB1433093	1		
14	VNB1672286	1		
15	VNB0840493	4		
16	VNB1798493	1		
17	VNB3628978	1		L-p/m
18	VN47100101	1		
19	VN47100103	1		KM 3200
20	VN40709308	2		UCFL207J
21	VN41701200	2		G1/8"
22	KG00367461	2		8.8-M20x130
23	KG00367061	2		8.8-M20x90
24	KG00474461	1		8.8-M10x35
25	KG00357861	4		8.8-M12x65
26	KG00471961	8		8.8-M8x20
27	KG00639661	1		8.8-M8x50
28	KG01052161	4		8/M12
29	KG01067661	3		8/M10/Nyloc
30	KG01067761	4		8/M12/Nyloc
31	KG01067561	1		8/M8/Nyloc
32	KG01068161	4		8/M20/Nyloc
33	KG01267361	8		8,4
34	KG01260361	1		A10,5
35	KG01261061	8		A13
36	KG00472261	2		8.8-M8x30
37	VNB3578286	1		
38	VNB3578386	1		
39	KG00474261	1		8.8-M10x25
40	VG TG80	1		M10x25/7.7mm
41	KG01259761	1		A8,4



KM 3200			27386			KM 4000			27387						
1	KG00358161	2	8.8-M12x80	41	VN30268120	4	K100-M10x20	1	KG00358161	2	8.8-M12x80	41	VN30268120	4	K100-M10x20
2	KG00353461	1	8.8-M8x50	42	KG01061361	5	K10/M10/Tensilock	2	KG00353461	1	8.8-M8x50	42	KG01061361	5	K10/M10/Tensilock
3	KG00367861	4	8.8-M20x180	43	KG00641361	2	8.8-M10x20	3	KG00367861	4	8.8-M20x180	43	KG00641361	2	8.8-M10x20
5	KG00474561	1	8.8-M10x40	44	KG00476661	1	8.8-M12x35	4	VNB3578694	1		44	KG00476661	1	8.8-M12x35
6	KG00476761	1	8.8-M12x40	45	VNB3572478	1		5	KG00474561	1	8.8-M10x40	45	VNB3572478	1	
7	KG00480461	6	8.8-M16x50	46	VNB3572393	1		6	KG00476761	1	8.8-M12x40	46	VNB3572393	1	
8	KG00471961	4	8.8-M8x20	47	VN43460903	1	1/2"(12mm)	7	KG00480461	6	8.8-M16x50	47	VN43460903	1	1/2"(12mm)
9	KG00639061	2	8.8-M8x20	48	VGND2134V	12	M18x1,5	8	KG00471961	4	8.8-M8x20	48	VGND2134V	12	M18x1,5
10	KG01067661	3	8/M10/Nylac	49	VNB3670502	1		9	KG00639061	2	8.8-M8x20	49	VNB3670502	1	
11	KG01067761	4	8/M12/Nylac	50	KG01191862	1	8x40	10	KG01067661	3	8/M10/Nylac	50	KG01191862	1	8x40
12	KG01067961	6	8/M16/Nylac	51	KG01268161	1	25	11	KG01067761	4	8/M12/Nylac	51	KG01268161	1	25
13	KG01067561	9	8/M8/Nylac	52	KG01799800	2	30208	12	KG01067961	6	8/M16/Nylac	52	KG01799800	2	30208
14	KG01068161	4	8/M20/Nylac	53	KG01802500	2	30211	13	KG01067561	9	8/M8/Nylac	53	KG01802500	2	30211
15	VN30804803	8	25x26	54	VGBR552	2		14	KG01068161	4	8/M20/Nylac	54	VGBR552	2	
16	VN40233560	2	PG50x55x60A		VN79301116X	1	10.5/65x16AW	15	VN30804803	8	25x26		VN79301116X	1	10.5/65x16AW
17	KG01261061	3	A13	55	VNB2025498	2	W8x16 (6 holes)	16	VN40233560	2	PG50x55x60A	55	VNB2025498	2	W8x16 (6 holes)
18	KG01267761	12	17	56	VN43603120	2	10.5/65x16	17	KG01261061	3	A13	56	VN43603120	2	10.5/65x16
19	KG01267961	8	21	57	VN43608121	2	10.5/65x16AW-10PR	18	KG01267761	12	17	57	VN43608121	2	10.5/65x16AW-10PR
20	KG01260361	1	A10,5					19	KG01267961	8	21				
21	KG01259761	4	A8,4					20	KG01260361	1	A10,5				
22	VN17871140	2						21	KG01259761	4	A8,4				
23	VN41702899	1	M8x1,25					22	VN17871140	2					
25	VNB1433093	1						23	VN41702899	1	M8x1,25				
26	VNB1604878	2						25	VNB1433093	1					
27	VNB3813294	1						26	VNB1604878	2					
28	VNB3561894	1						27	VNB3813294	1					
29	VNB3290493	1						29	VNB3290493	1					
30	VNB3310094	1						30	VNB3310094	1					
31	VNB3347093	4						31	VNB3347093	4					
32	VNB3351894	2						32	VNB3351894	2					
33	VNB3420086	1						33	VNB3420086	1					
34	VNB3420286	1						34	VNB3420286	1					
35	VNB3628978	1	L=p/m					35	VNB3628978	1	L=p/m				
36	RG00045482	2	D=60					36	RG00045482	2	D=60				
37	KG00472161	2	8.8-M8x25					37	KG00472161	2	8.8-M8x25				
38	VNB3526186	2						38	VNB3526186	2					
39	VNB3470986	2						39	VNB3470986	2					
40	VNB3526286	2						40	VNB3526286	2					



	KM 3200	27386	
	KM 4000	27387	
1	VNB3286386	1	
2	VNB2825493	1	
3	VNB3272486	1	
4	VNB3561186	1	
5	VNB3571386	1	
6	VNB1662593	2	
8	VNB3577894	4	
9	VNB3561793	2	
10	KG00474361	8	8.8-M10x30
11	VNB3280293	1	
12	VNB3286593	1	
13	VNB3291093	1	
14	VNB3290993	1	
15	VNB3571593	2	
17	VNB1658693	1	Ø13
18	VNB1658793	1	Ø14
19	VNB3303986	1	
20	VNB1658893	2	Ø13
22	VN40227030	2	PCM202330M
23	KG00483661	1	8.8-M20x50
24	KG00474261	1	8.8-M10x25
25	KG00353461	2	8.8-M8x50
26	KG00355761	1	8.8-M10x65
27	KG01067561	2	8/M8/Nylac
28	KG01067661	10	8/M10/Nylac
29	KG01068161	1	8/M20/Nylac
30	KG01052361	4	8/M16
31	VN31471400	3	17
32	KG01267961	1	21
33	KG01191862	1	8x40
34	KG01192162	4	8x60
35	VNB3470278	1	sealkit
36	VN41702600	1	5.8-AM6x1
37	VNB3571278	1	

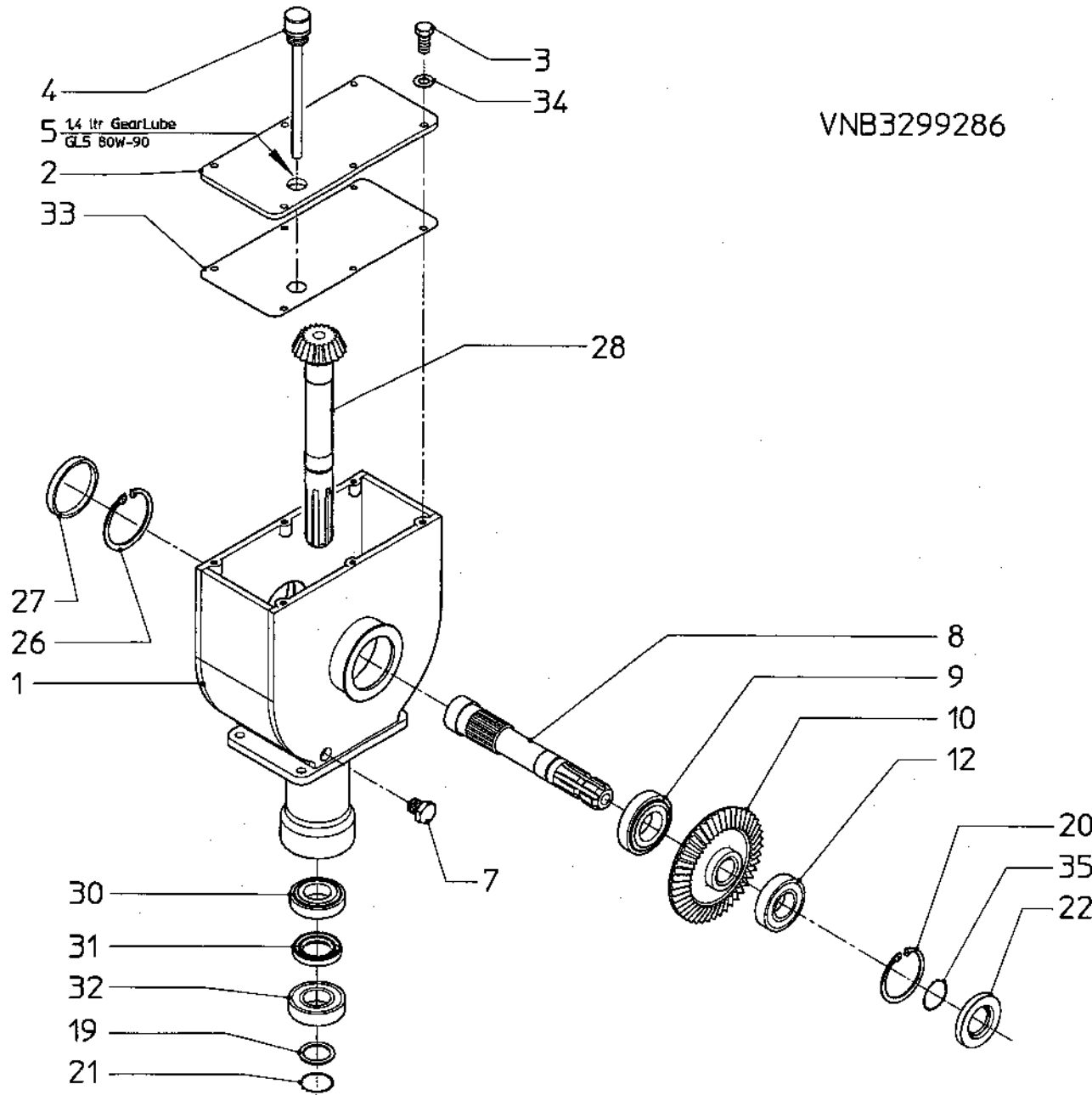


KM 3200		27386	KM 4000		27387
2	VNB3570986	1		3	VNB3928586 1
4	VNB2605586	1	L	4	VNB2605586 1 L
5	VNB3319586	1	R	5	VNB3319586 1 R
6	VNB3320486	1	L	6	VNB3320486 1 L
7	VNB3327386	1	R	7	VNB3327386 1 R
8	VNB3299286	1		8	VNB3299286 1
9	VN38830950	1	104-138	9	VN38830950 1 104-138
10	VNB3577593	3		10	VNB3577593 3
11	KG00353461	3	8.8-M8x50	11	KG00353461 3 8.8-M8x50
12	KG01067561	3	8/M8/Nyloc	12	KG01067561 3 8/M8/Nyloc
13	VN30361625	1	10.9-M6x25	13	VN30361625 1 10.9-M6x25
14	KG01259261	1	A6,4	14	KG01259261 1 A6,4
15	KG01067361	1	8/M6/Nyloc	15	KG01067361 1 8/M6/Nyloc
16	KG00476761	8	8.8-M12x40	16	KG00476761 8 8.8-M12x40
17	KG01067761	10	8/M12/Nyloc	17	KG01067761 14 8/M12/Nyloc
18	KG00356561	1	8.8-M10x120	18	KG00356561 1 8.8-M10x120
19	KG00355361	3	8.8-M10x45	19	KG00355361 3 8.8-M10x45
20	KG01067661	4	8/M10/Nyloc	20	KG01067661 20 8/M10/Nyloc
21	VN30268125	18	K100-M10x25	21	VN30268125 18 K100-M10x25
22	VN30268130	2	K100-M10x30	22	VN30268130 2 K100-M10x30
23	KG01061361	20	K10/M10/Tensiloc	23	KG01061361 20 K10/M10/Tensiloc
24	VGND90027	1		24	VGND90027 1
29	KG00476461	1	8.8-M12x25	25	VNB3783186 1
30	KG00644861	1	8.8-M12x30	27	KG00474361 16 8.8-M10x30
31	VNB3930286	1		28	KG00644761 4 8.8-M12x25
				29	KG00476461 1 8.8-M12x25
				30	KG00644861 1 8.8-M12x30
				31	VNB3930286 1

serial number 27386-27387

G9

KM 3200/4000 (2)



VNB3299286

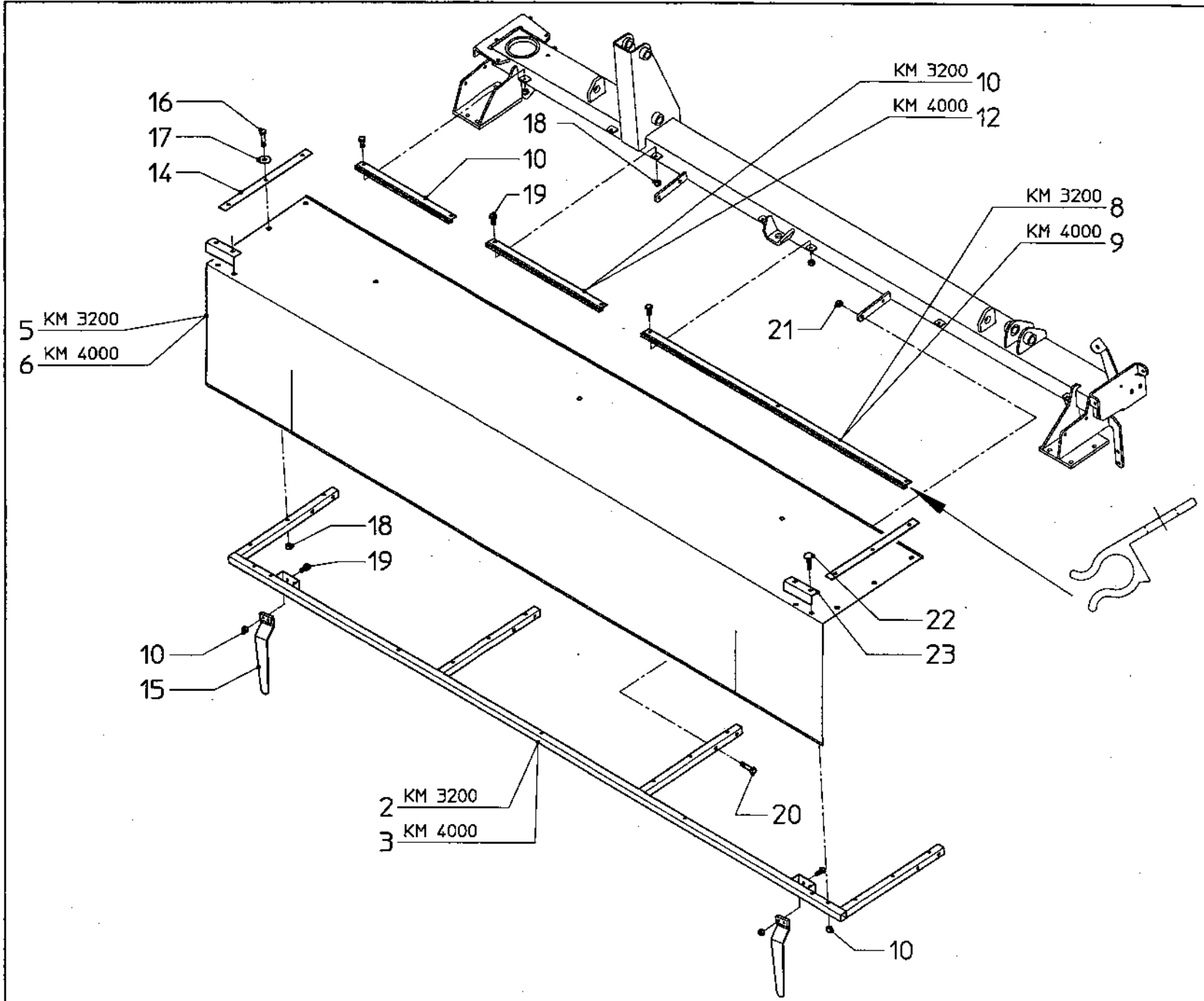
KM 3200	27386
KM 4000	27387

	VNB3299286	1	
1	VNB3487986	1	
2	VNB3488093	1	
3	KG00471961	6	8.8-M8x20
4	VNB3577678	1	
5		1,4	ltr Gearlube GL5 80W-90
7	VNB2091678	1	M18x1,5
8	VNB3488202	1	
9	VN40119112	1	30212
10	VNB3488302	1	
12	KG01799800	1	30208
19	VNB3415028	1	35x45x2,5
20	KG01130900	1	1.80x2,5
21	KG01099300	1	A35x2,5
22	KG00021200	1	40x80x10A
26	KG01132300	1	1.110x4
27	VNB3488578	1	
28	VNB3488402	1	
30	KG01800000	1	33208
31	KG00019500	1	35x62x10A
32	KG01381100	1	6207-2RS
33	VNB3488178	1	
34	KG01267361	6	8,4
35	KG01110100	1	A45x1,75

serial number 27386-27387

G10

km 3200/4000 (2)



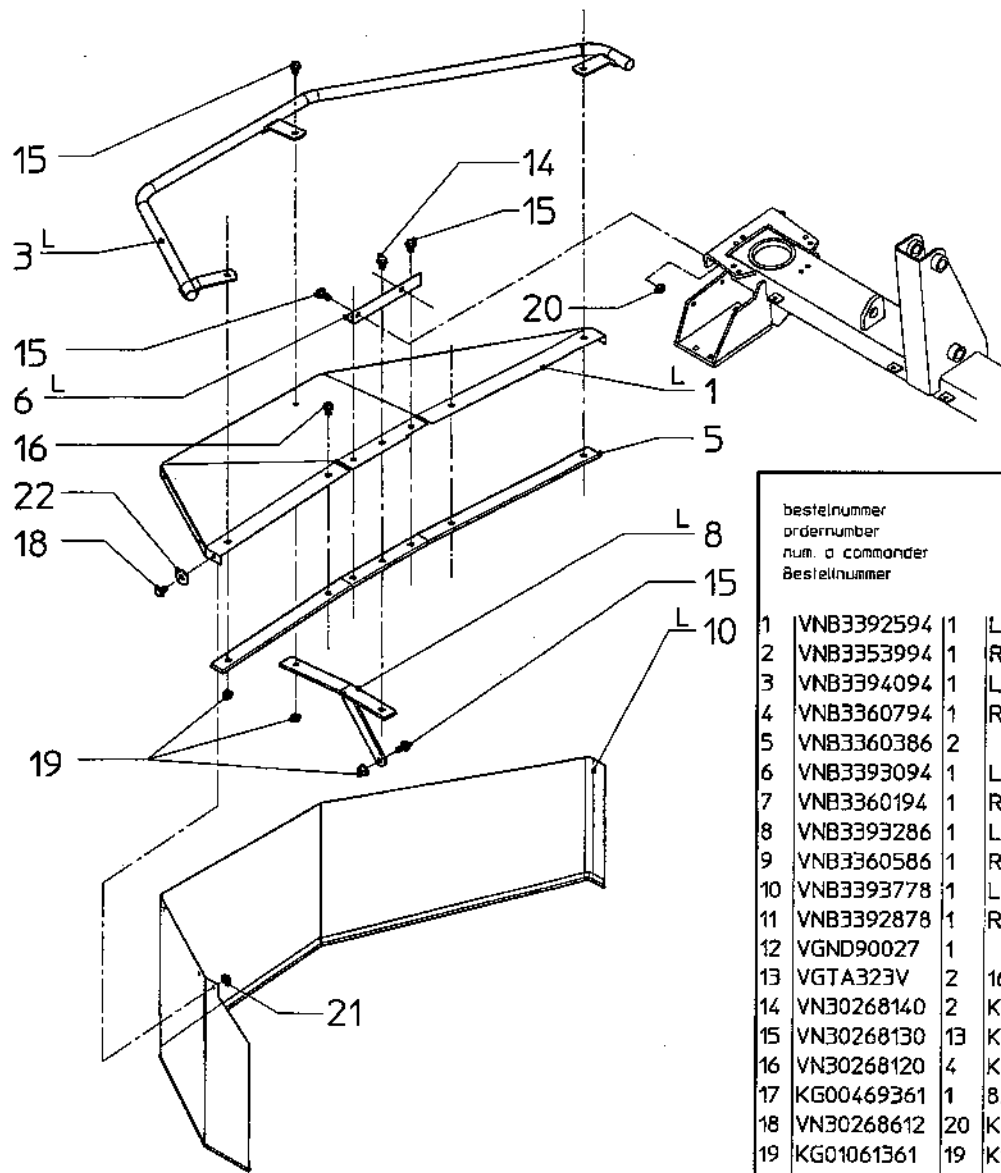
KM 3200 27386

2	VNB3392286	1	
5	VNB3288478	1	
8	VNB3572902	1	L=1400
10	VNB2815202	2	L=443
14	VNB2813086	2	
15	VN97870841	2	
16	KG00353361	6	8.8-M8x45
17	KG01259761	6	A8,4
18	KG01067561	21	8/M8/Nyloc
19	KG00471961	11	8.8-M8x20
20	KG00355461	8	8.8-M10x50
21	KG01067661	8	8/M10/Nyloc
22	VN30263845	4	4.6-M8x45
23	VNB3526702	2	

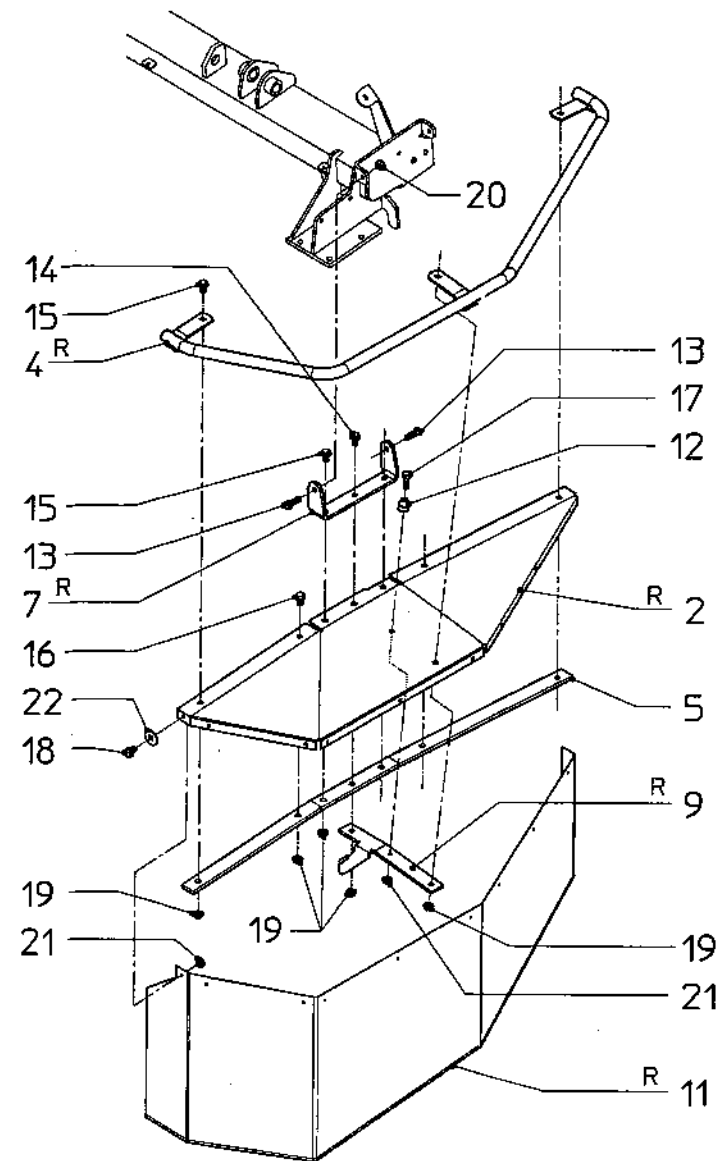
KM 4000 27387

3	VNB3506086	1	
6	VNB3506678	1	
9	VNB3506802	1	L=1880
10	VNB2815202	1	L=443
12	VNB3506702	1	L=720
14	VNB2813086	2	
15	VN97870841	2	
16	KG00353361	6	8.8-M8x45
17	KG01259761	6	A8,4
18	KG01067561	22	8/M8/Nyloc
19	KG00471961	12	8.8-M8x20
20	KG00355461	8	8.8-M10x50
21	KG01067661	8	8/M10/Nyloc
22	VN30263845	4	4.6-M8x45
23	VNB3526702	2	

L =links/left/gauche/izquierda/sinistra/esquerda/venstre/vänster
 R =rechts/right/droite/derecha/destra/direita/højre/höger



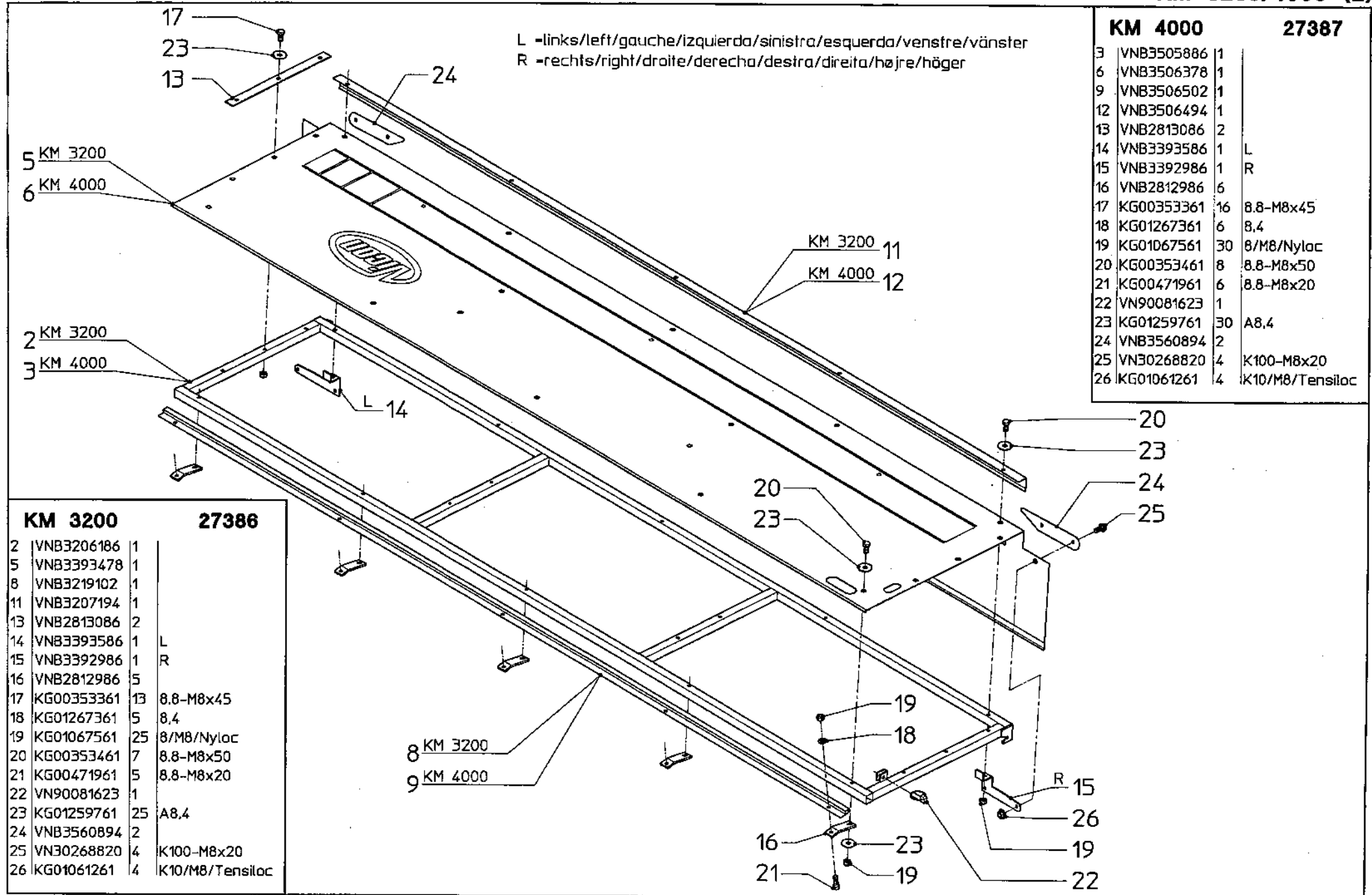
1	bestelnummer	1	L
2	ordernummer	1	R
3	num. o commander	1	L
4	Bestellnummer	1	R
1	VNB3392594	1	L
2	VNB3353994	1	R
3	VNB3394094	1	L
4	VNB3360794	1	R
5	VNB3360386	2	
6	VNB3393094	1	L
7	VNB3360194	1	R
8	VNB3393286	1	L
9	VNB3360586	1	R
10	VNB3393778	1	L
11	VNB3392878	1	R
12	VGND90027	1	
13	VGTA323V	2	16.2-M10x35
14	VN30268140	2	K100-M10x40
15	VN30268130	13	K100-M10x30
16	VN30268120	4	K100-M10x20
17	KG00469361	1	8.8-M6x35
18	VN30268612	20	K100-M6x12
19	KG01061361	19	K10/M10/Tensiloc
20	KG01067661	2	8/M10/Nyloc
21	KG01061161	21	K10/M6/Tensiloc
22	KG01259361	20	A6.5x25x1.5



serial number 27386-27387

G12

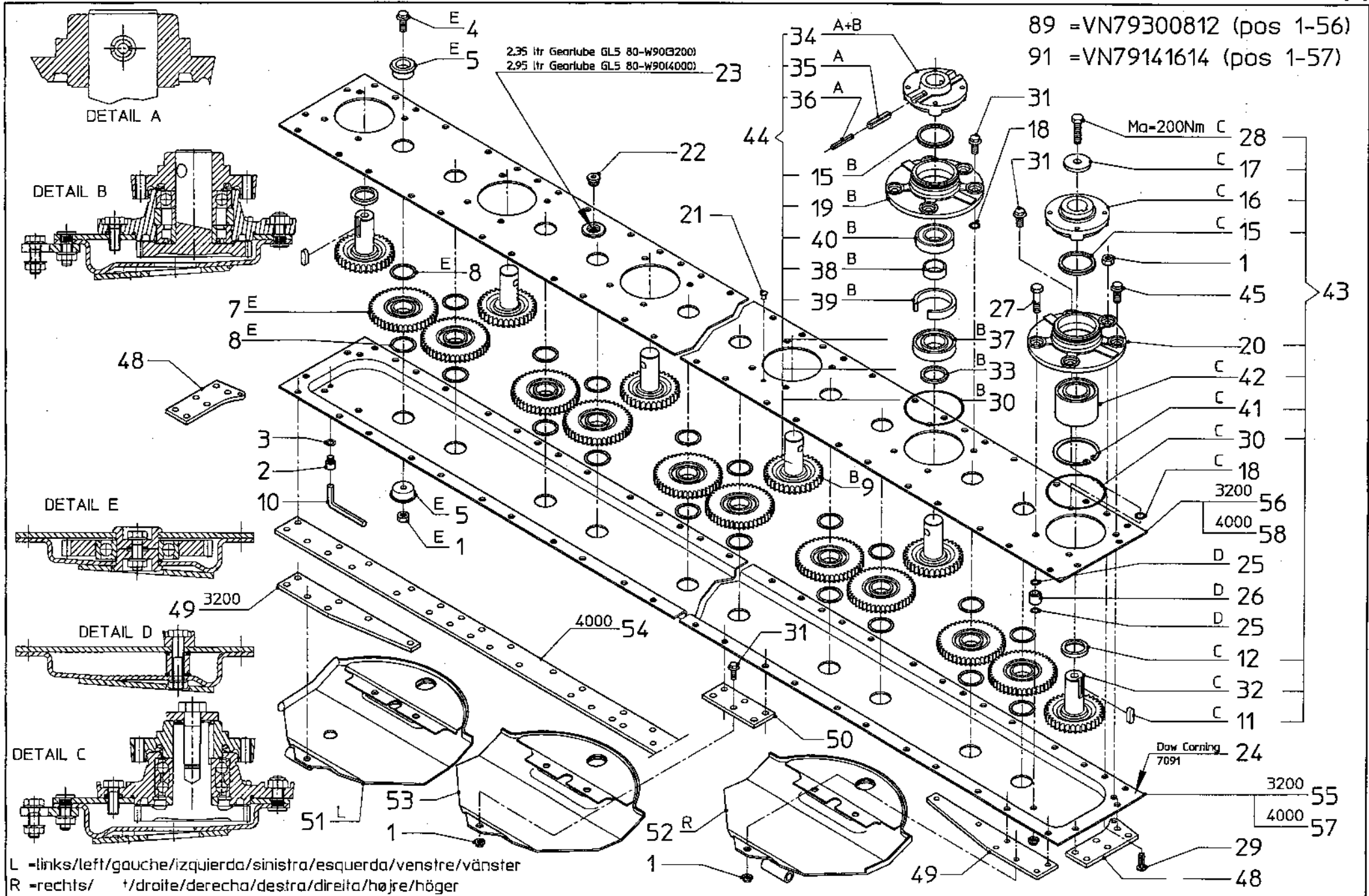
Km 3200/4000 (2)



serial number 27386-27387

G13

KM 3200/4000 (2)



serial number 27386-27387

G14

KM 3200/4000 (2)

KM 3200			27386			KM 4000			27387		
89	VN79300812	1				49	VNB1191286	2			
1	KG01061361	32	K10/M10			50	VN18645928	6			
2	VN30361110	1	10.9-M10x10			51	VNB1361586	1	L		
3	VN31419200	1	A10x16x1			52	VNB1361686	1	R		
4	VNB1870178	14				53	VN18613484	6			
5	VNB1290893	28				55	VNB1621186	1			
7	VN90296323	14	Z=45			56	VNB1359786	1			
8	VN36510023	28	40x48x2,3								
9	VN10283503	6									
10	VN65450080	1	8								
11	VN31103432	2	B10x8-32								
12	VNB1359002	2									
15	VN36112056	8	V-55A								
16	VNB1519586	2									
17	VN19343282	2									
18	VN36107380	26	10x3,5								
19	VNB1357086	6									
20	VNB1357186	2									
21	VNB1282578	1									
22	VN17883651	1	M18x1,5								
23			2,35 ltr GearLube GL5 80-90								
24			Dow Corning 7091								
25	VN36107379	8	17x3								
26	VNB1294302	4									
27	KG00336261	4	10.9-M10x50								
28	VN30257139	2	8.8-UNF5/8"x51								
29	VN90081618	8	10.9-M10x30								
30	VN36107377	8	112x3								
31	VN30268125	32	K100-M10x25								
32	VN90284912	2									
33	VN90070360	6									
34	VNB1519686	6									
35	VN30803719	6	13x55								
36	VN30804855	6	8x0,75-55								
37	VN40130207	6	NU-207-C4								
38	VN17871304	6									
39	VN17871470	6									
40	VN40101527	6	6207-LLU-C4								
41	KG01130500	2	1,72x2,5								
42	VN40117211	2	BAH-0012								
43	VN79300654	2	Assembly								
44	VN79300655	6	Assembly								
45	VN30268130	2	K100-M10x30								
48	VNB1361286	2									
49	VN79141614	1				91	VN79141614	1			
1	KG01061361	40	K10/M10			1	KG01061361	40	K10/M10		
2	VN30361110	1	10.9-M10x10			2	VN30361110	1	10.9-M10x10		
3	VN31419200	1	A10x16x1			3	VN31419200	1	A10x16x1		
4	VNB1870178	18				4	VNB1870178	18			
5	VNB1290893	36				5	VNB1290893	36			
7	VN90296323	18	Z=45			7	VN90296323	18	Z=45		
8	VN36510023	36	40x48x2,3			8	VN36510023	36	40x48x2,3		
9	VN10283503	8				9	VN10283503	8			
10	VN65450080	1	8			10	VN65450080	1	8		
11	VN31103432	2	B10x8-32			11	VN31103432	2	B10x8-32		
12	VNB1359002	2				12	VNB1359002	2			
15	VN36112056	10	V-55A			15	VN36112056	10	V-55A		
16	VNB1519586	2				16	VNB1519586	2			
17	VN19343282	2				17	VN19343282	2			
18	VN36107380	34	10x3,5			18	VN36107380	34	10x3,5		
19	VNB1357086	8				19	VNB1357086	8			
20	VNB1357186	2				20	VNB1357186	2			
21	VNB1282578	1				21	VNB1282578	1			
22	VN17883651	1	M18x1,5			22	VN17883651	1	M18x1,5		
23			2,95 ltr GearLube GL5 80-90			23			2,95 ltr GearLube GL5 80-90		
24			Dow Corning 7091			24			Dow Corning 7091		
25	VN36107379	8	17x3			25	VN36107379	8	17x3		
26	VNB1294302	4				26	VNB1294302	4			
27	KG00336261	4	10.9-M10x50			27	KG00336261	4	10.9-M10x50		
28	VN30257139	2	8.8-UNF5/8"x51			28	VN30257139	2	8.8-UNF5/8"x51		
29	VN90081618	10	10.9-M10x30			29	VN90081618	10	10.9-M10x30		
30	VN36107377	10	112x3			30	VN36107377	10	112x3		
31	VN30268125	40	K100-M10x25			31	VN30268125	40	K100-M10x25		
32	VN90284912	2				32	VN90284912	2			
33	VN90070360	8				33	VN90070360	8			
34	VNB1519686	8				34	VNB1519686	8			
35	VN30803719	8	13x55			35	VN30803719	8	13x55		
36	VN30804855	8	8x0,75-55			36	VN30804855	8	8x0,75-55		
37	VN40130207	8	NU-207-C4			37	VN40130207	8	NU-207-C4		
38	VN17871304	8				38	VN17871304	8			
39	VN17871470	8				39	VN17871470	8			
40	VN40101527	8	6207-LLU-C4			40	VN40101527	8	6207-LLU-C4		
41	KG01130500	2	1,72x2,5			41	KG01130500	2	1,72x2,5		
42	VN40117211	2	BAH-0012			42	VN40117211	2	BAH-0012		
43	VN79300654	2	Assembly			43	VN79300654	2	Assembly		
44	VN79300655	8	Assembly			44	VN79300655	8	Assembly		
45	VN30268130	2	K100-M10x30			45	VN30268130	2	K100-M10x30		
48	VNB1361286	2				48	VNB1361286	2			

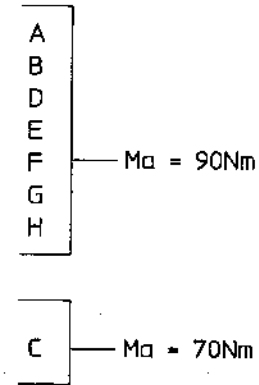
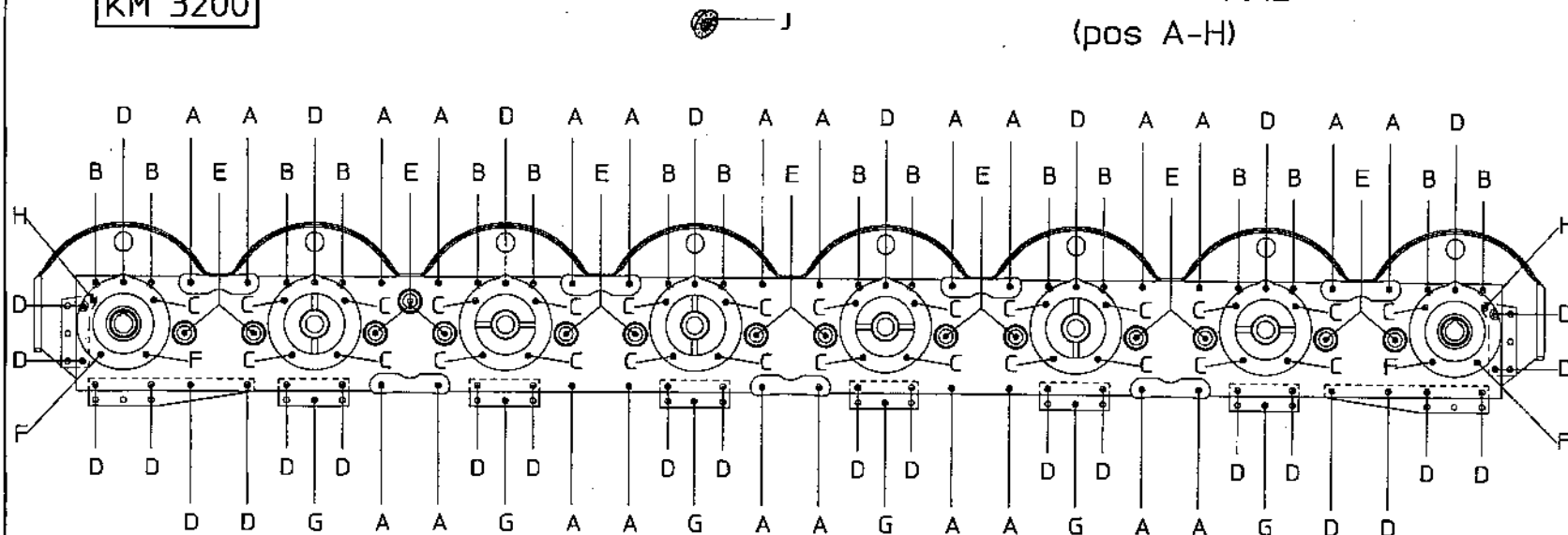
serial number 27386-27387

G15

KM 3200/4000 (2)

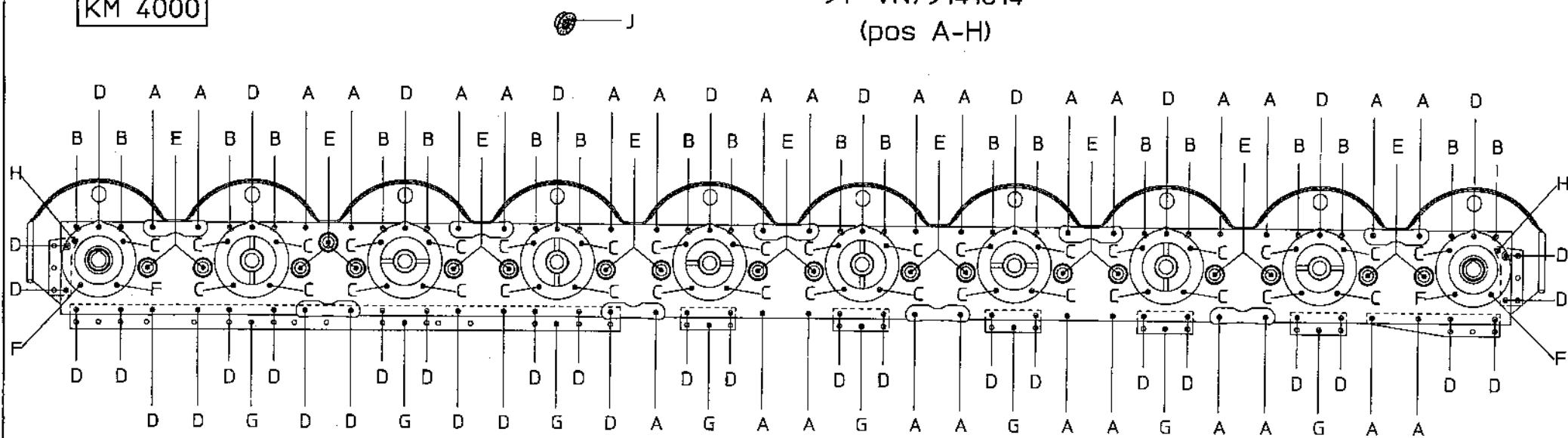
KM 3200

89 = VN79300812
(pos A-H)



KM 4000

91 = VN79141614
(pos A-H)



KM 3200 27386

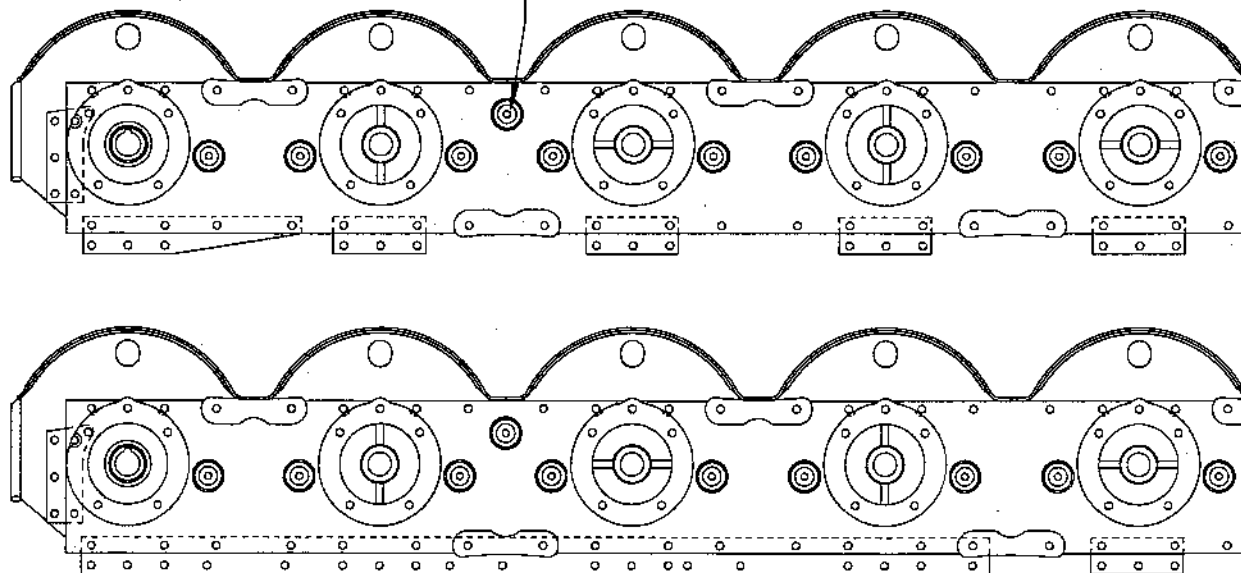
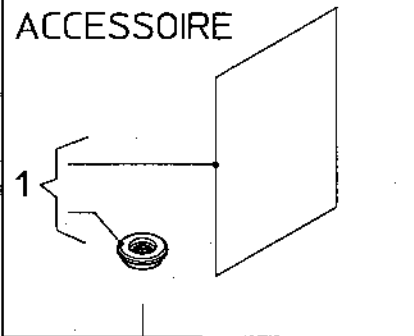
KM 4000 27387

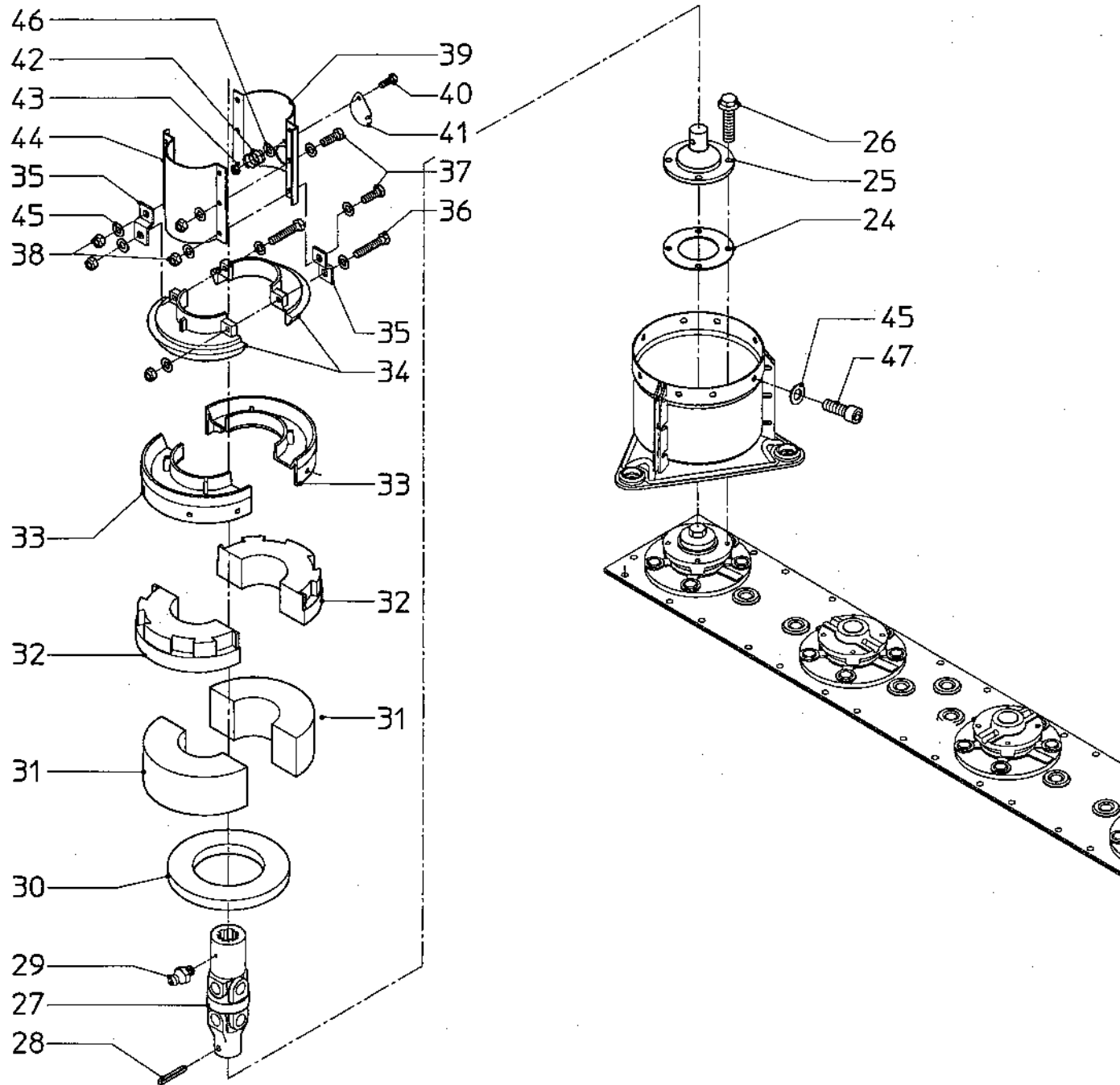
KM 3200			KM 4000				
	VN79300812	1	3200		VN79141614	1	4000
A	VN90081616	24	10.9-M10x20	A	VN90081616	29	10.9-M10x20
B	VN90081617	16	10.9-M10x25	B	VN90081617	20	10.9-M10x25
C	VN30268125	26	K100-M10x25	C	VN30268125	34	K100-M10x25
D	VN90081618	30	10.9-M10x30	D	VN90081618	41	10.9-M10x30
E	VNB1870178	14		E	VNB1870178	18	
F	KG00336261	4	10.9-M10x50	F	KG00336261	4	10.9-M10x50
G	VN30268125	6	K100-M10x25	G	VN30268125	8	K100-M10x25
H	VN30268130	2	K100-M10x30	H	VN30268130	2	K100-M10x30
J	KG01061361	94	K10/M10/Tensi	J	KG01061361	120	K10/M10/Tensi

bestellnummer
ordernumber
num. d commander
Bestellnummer

1 IVN79142071 11 | ACCESSOIRE

ACCESSOIRE





serial number 27386-27387

H2

KM 3200/4000 (2)

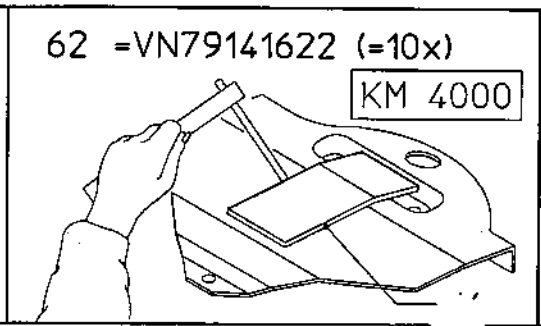
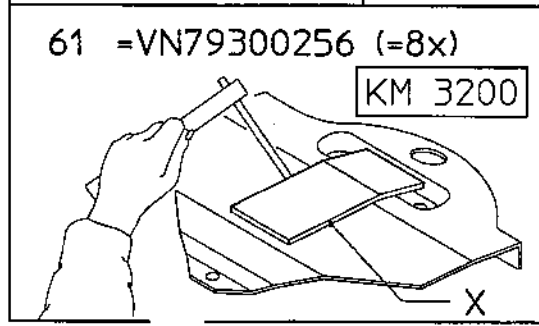
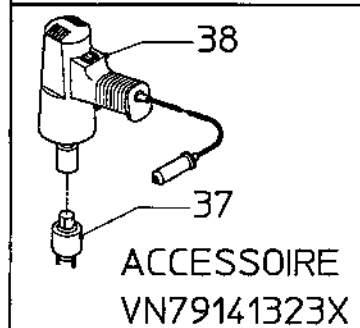
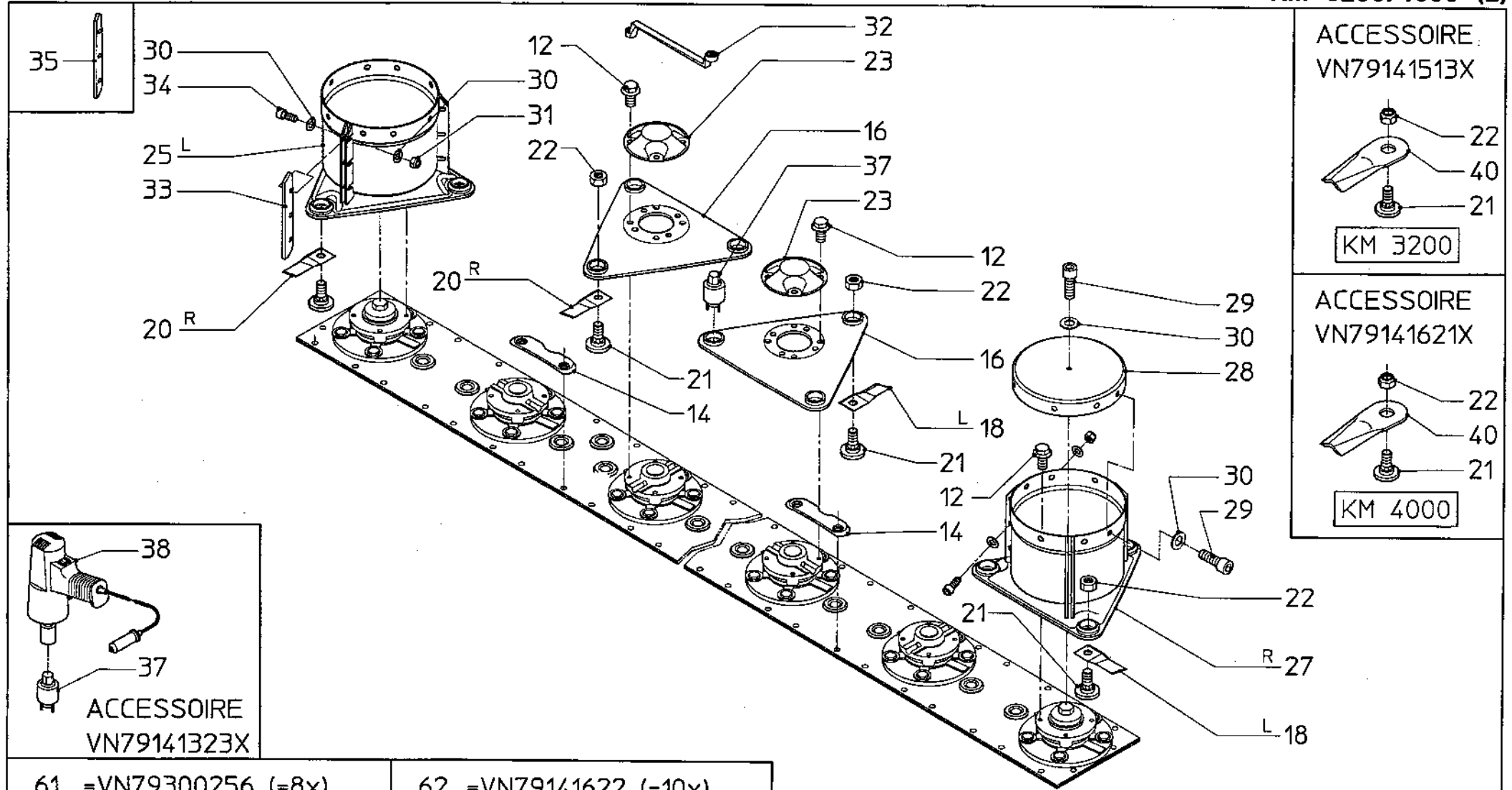
KM 3200 27386
KM 4000 27387

24	VNB1667593	1	
25	VNB0622186	1	
26	VN30268140	4	K100-M10x40
27	VN46170003	1	DG 3100
28	KG01194162	1	10x50
29	VN41702800	1	M8x1
30	VNB2151978	1	
31	VNB2151878	2	
32	VNB1732678	2	
33	VNB1612502	2	
34	VNB1612602	2	
35	VNB1684886	2	
36	KG00472461	2	8.8-M8x40
37	KG00472161	6	8.8-M8x25
38	KG01067561	8	8/M8/Nyloc
39	VNB1683486	1	
40	KG00469161	1	8.8-M6x25
41	VNB1666493	1	
42	VNB1667493	1	
43	KG01067361	1	8/M6/Nyloc
44	VNB1691186	1	
45	KG01267361	24	8.4
46	KG01267261	1	6.4
47	VN30361820	8	10.9-M8x20

serial number 27386-27387

H3

KM 3200/4000 (2)



L =links/left/gauche/izquierda/sinistra/esquerda/venstre/vänster
 R =rechts/right/droite/derecha/destra/direita/højre/höger

serial number 27386-27387

H4

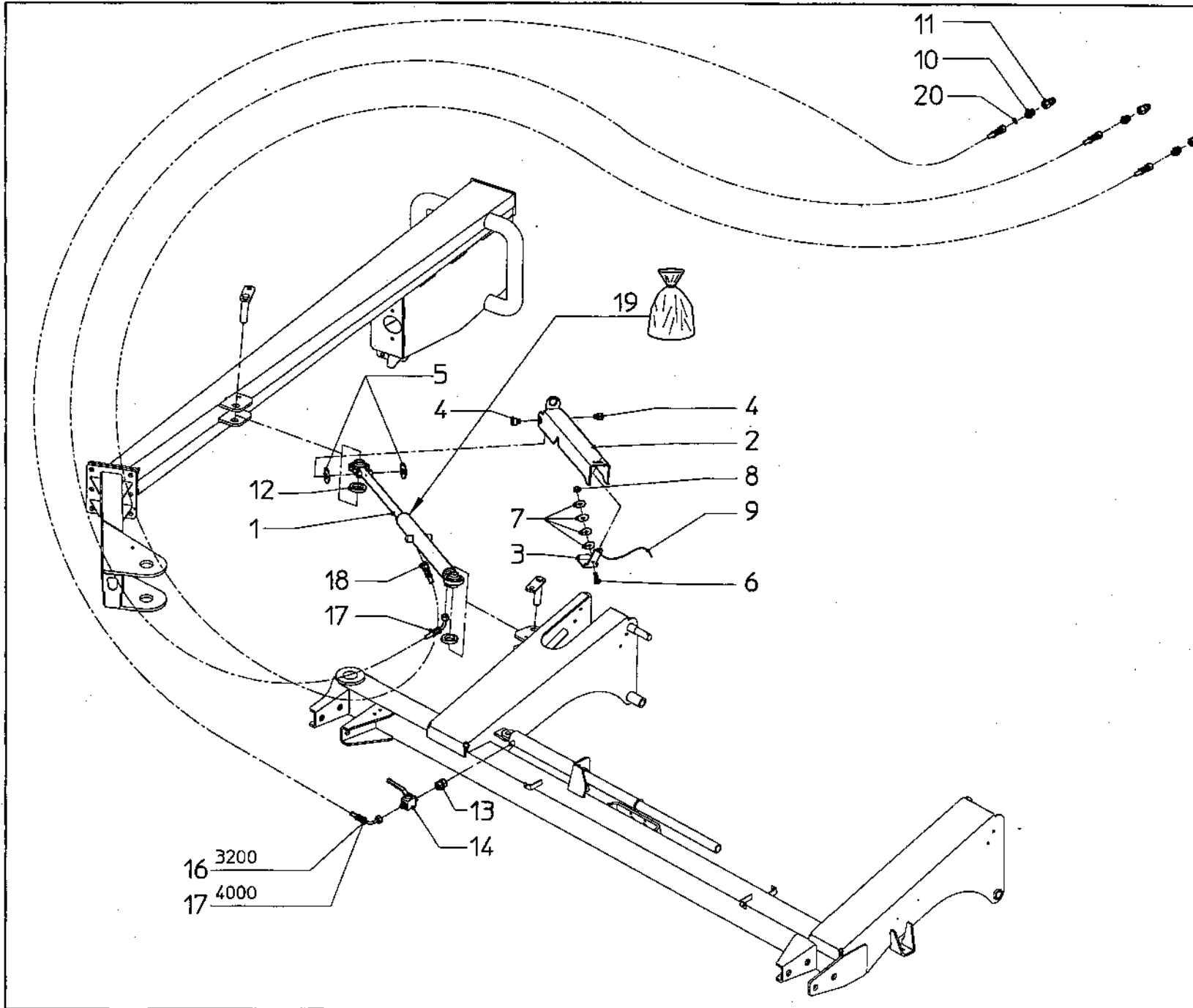
KM 3200/4000 (2)

bestelnummer ordernumber num. a commander Bestellnummer		bestelnummer ordernumber num. a commander Bestellnummer	
KM 3200		KM 4000	
27386		27387	
12	VN30268125	32	K100-M10x25
16	VNB2280294	6	
18	VN90258699	12	L
20	VN90258700	12	R
21	VNB1374593	24	
22	KG01068961	24	10/M12/Nyloc
23	VN98664785	6	
25	VNB3557294	1	L
27	VNB2869394	1	R
28	VNB1613286	1	
29	VN30361820	9	10.9-M8x20
30	KG01267361	45	8,4
31	KG01067561	18	8/M8/Nyloc
32	VN65410171	1	17-19
33	VNB2721586	6	
34	VN30361830	18	10.9-M8x30
35	VNB2721386	6	
37	VNB2170078	1	
	VN79301513X	1	ACCESSOIRE
21	VNB1374593	24	M12
22	KG01068961	24	10/M12/Nyloc
40	VNB2493502	24	
	VN79141323X	1	ACCESSOIRE
37	VNB2170078	1	
38	VNB2170478	1	
	VN79141622	1	ACCESSOIRE
61	VN79300256	1	ACCESSOIRE
X		8	
	VN79141622	1	ACCESSOIRE
Y		10	

serial number 27386-27387

H5

KM 3200/4000 (2)



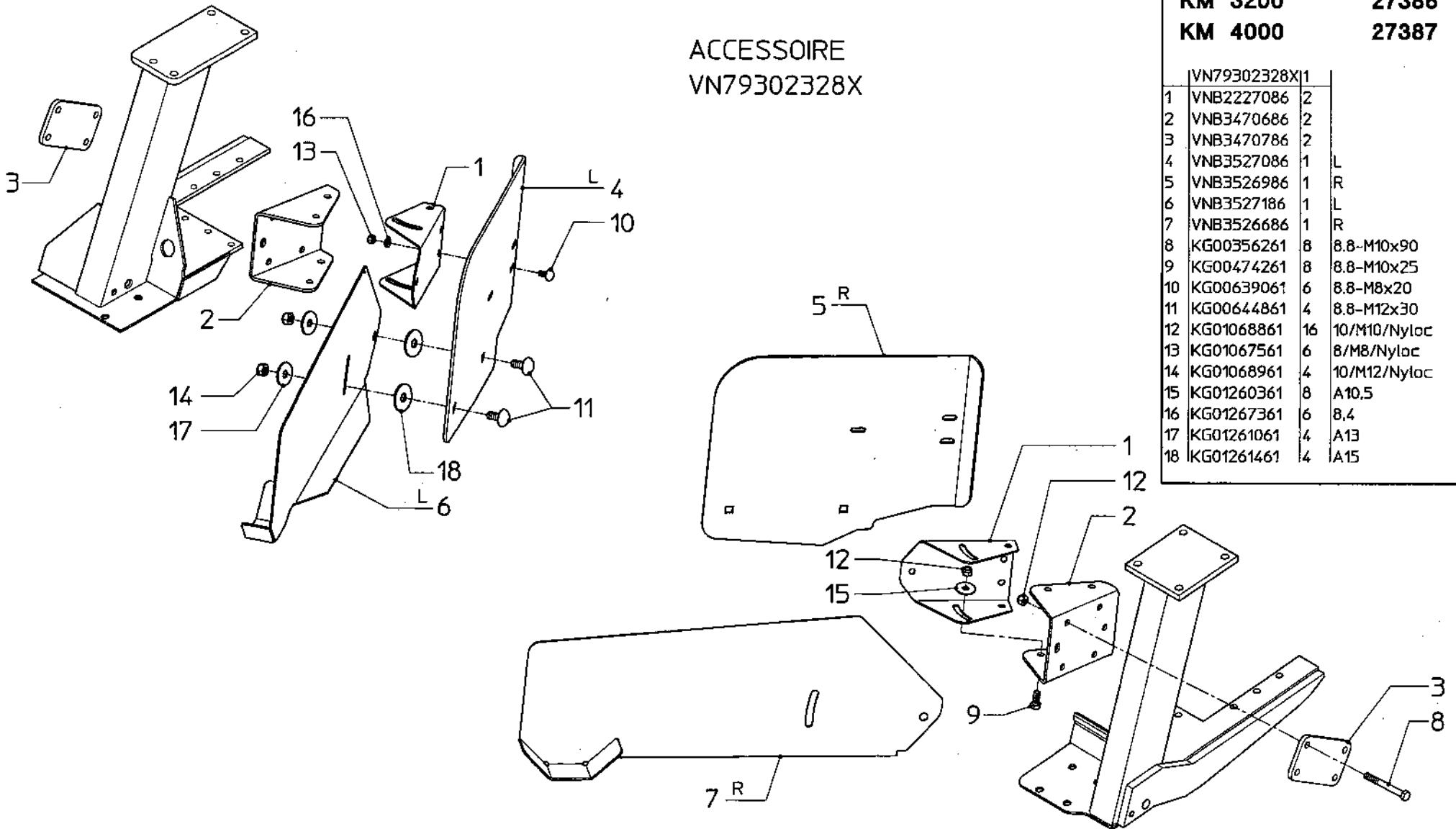
KM 3200		27386	
1	VNB3561286	1	
2	VNB3419986	1	
3	VNB3419886	1	
4	VNB3571902	2	M16x15
5	KG01261761	2	A17
6	KG00468961	1	8.8-M6x20
7	KG01259761	4	A8,4
8	KG01067361	1	8/M6/Nyloc
9	VNB2854878	1	
10	VN38820247	3	S-GEV 10L/M22x1,5
11	VN17883778	3	M22x1,5
12	VNB3571893	2	
13	VN38820246	1	L-PN315-10
14	VN38820248	1	10L/M16x1,5
16	VNB3572078	1	L=6000
17	VNB3572178	1	L=6500
18	VNB3572278	1	L=7000
19	VNB3470378	1	sealkit
20	VN36107420	1	11x2,5

KM 4000		27387	
1	VNB3561286	1	
2	VNB3419986	1	
3	VNB3419886	1	
4	VNB3571902	2	M16x15
5	KG01261761	2	A17
6	KG00468961	1	8.8-M6x20
7	KG01259761	4	A8,4
8	KG01067361	1	8/M6/Nyloc
9	VNB2854878	1	
10	VN38820247	3	S-GEV 10L/M22x1,5
11	VN17883778	3	M22x1,5
12	VNB3571893	2	
13	VN38820246	1	L-PN315-10
14	VN38820248	1	10L/M16x1,5
17	VNB3572178	2	L=6500
18	VNB3572278	1	L=7000
19	VNB3470378	1	sealkit
20	VN36107420	1	11x2,5

ACCESSOIRE
VN79302328X

KM 3200	27386
KM 4000	27387

VN79302328X1		
1	VNB2227086	
2	VNB3470686	
3	VNB3470786	
4	VNB3527086	
5	VNB3526986	
6	VNB3527186	
7	VNB3526686	
8	KG00356261	8.8-M10x90
9	KG00474261	8.8-M10x25
10	KG00639061	8.8-M8x20
11	KG00644861	8.8-M12x30
12	KG01068861	10/M10/Nyloc
13	KG01067561	8/M8/Nyloc
14	KG01068961	10/M12/Nyloc
15	KG01260361	A10,5
16	KG01267361	8,4
17	KG01261061	A13
18	KG01261461	A15

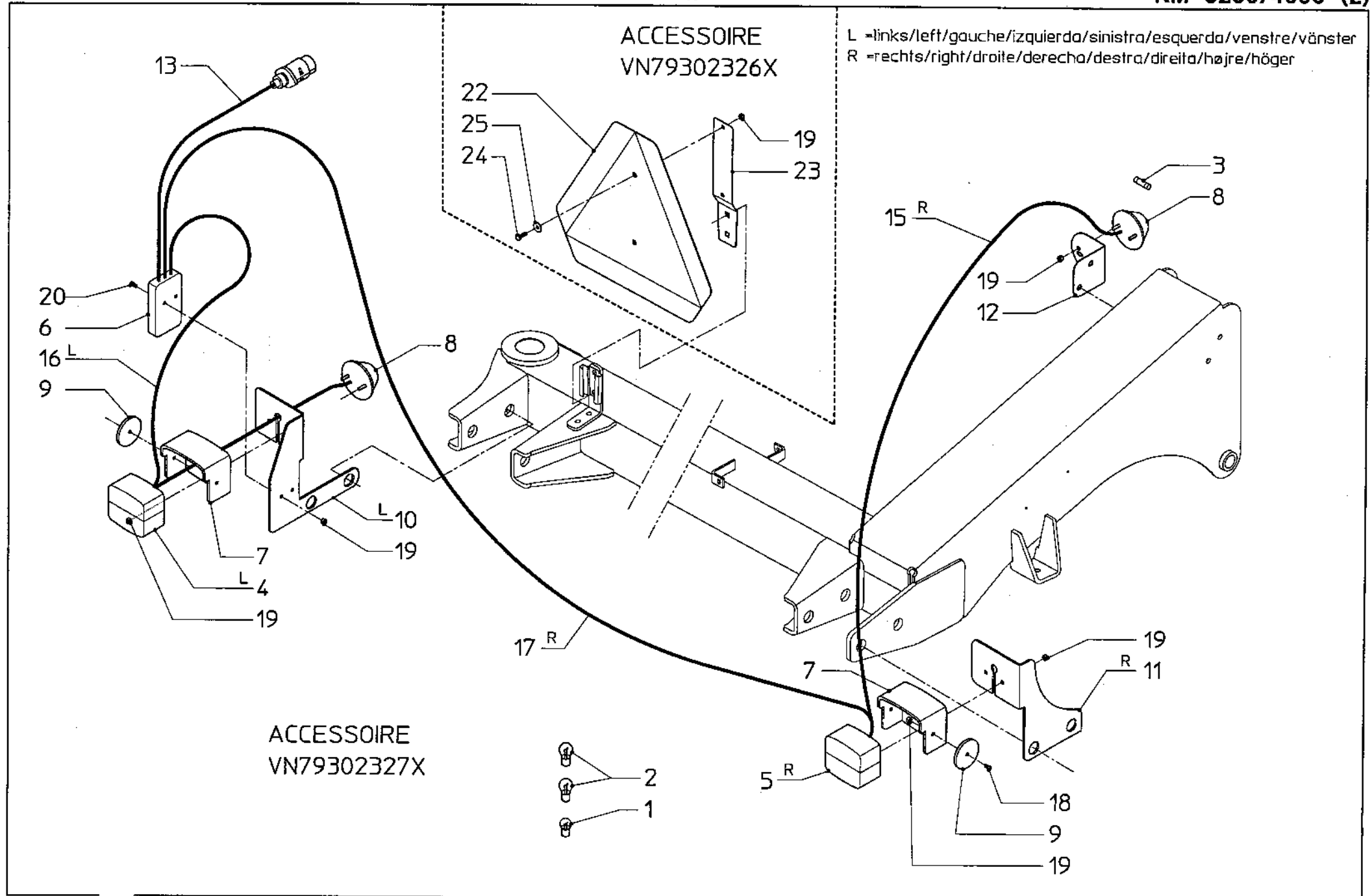


L =links/left/gauche/izquierda/sinistra/esquerda/venstre/vänster
R =rechts/right/droite/derecha/destra/direita/højre/höger

serial number 27386-27387

H7

KM 3200/4000 (2)



serial number 27386-27387

H8

KM 3200/4000 (2)

KM 3200	27386	KM 3200	27386
KM 4000	27387	KM 4000	27387

	VN79302327X1		
1	VN48523001	2	12V/10W
2	VN48523002	4	12V/21W
3	VN48523003	2	12V/5W
4	VNB3452478	1	L
5	VNB3452378	1	R
6	VNB3619878	1	
7	VNB3620578	2	
8	VNB3620978	2	
9	VNB3621478	2	ø60
10	VNB3626986	1	L
11	VNB3626886	1	R
12	VNB3627086	1	
13	VNB3663778	1	L=6000
15	VNB3663878	1	L=5500
16	VNB3664178	1	L=300
17	VNB3663978	1	L=4500
18	KG00702663	2	4.8-M6x16
19	KG01067361	10	8/M6/Nylac
20	KG00702763	2	4.8-M6x20

	VN79302326X1		
19	KG01067361	2	8/M6/Nylac
22	VNB1847378	1	
23	VNB3578486	1	
24	KG00468561	2	8.8-M6x12
25	KG01259261	2	A6.4

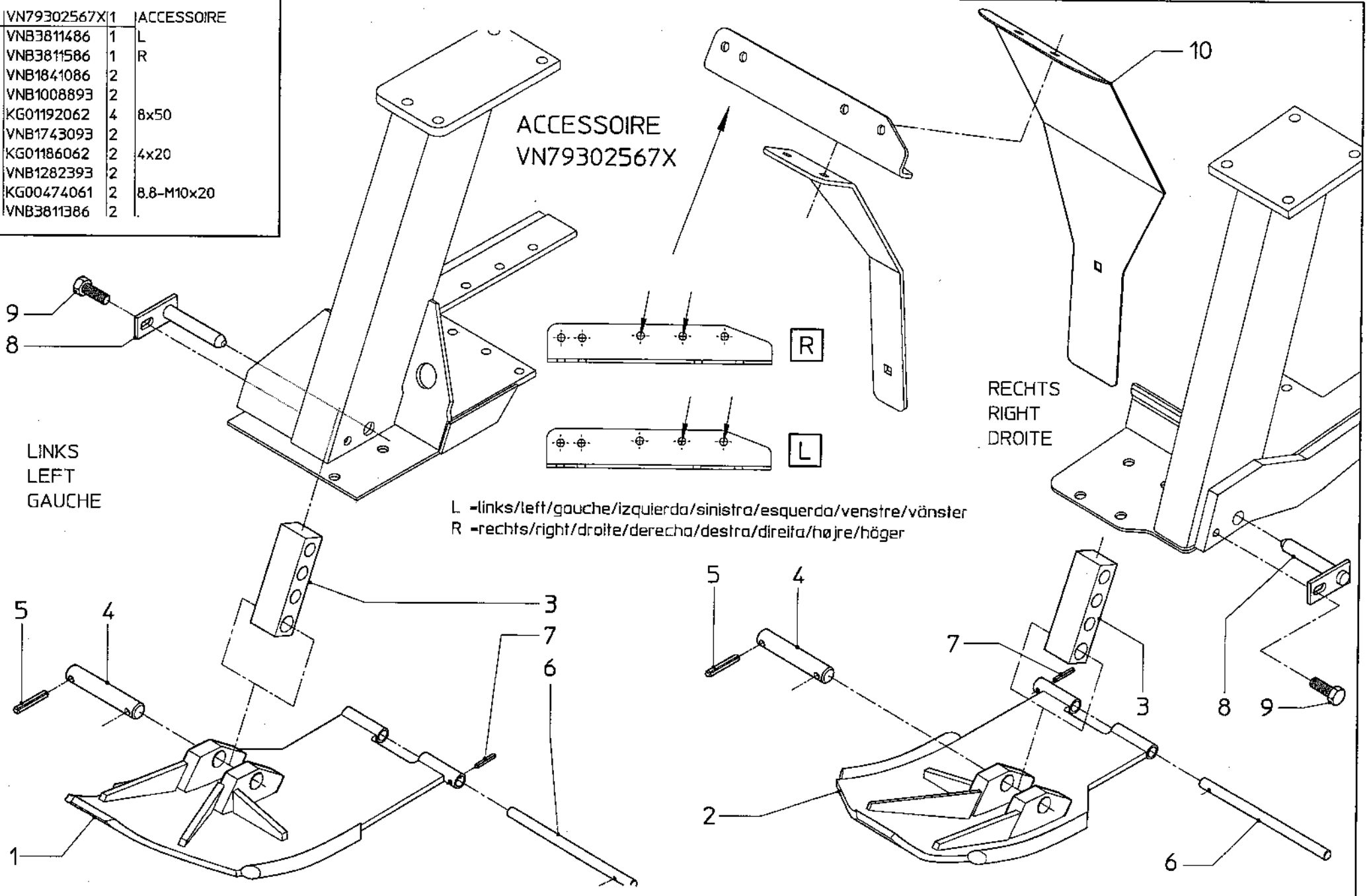
serial number 27386-27387

H9

KM 3200/4000 (2)

VN79302567X(1)		ACCESSOIRE
1	VNB3811486	1 L
2	VNB3811586	1 R
3	VNB1841086	2
4	VNB1008893	2
5	KG01192062	4 8x50
6	VNB1743093	2
7	KG01186062	2 4x20
8	VNB1282393	2
9	KG00474061	2 8.8-M10x20
10	VNB3811386	2

ACCESSOIRE
VN79302567X



L -links/left/gauche/izquierda/sinistra/esquerda/venstre/vänster
R -rechts/right/droite/derecha/destra/direita/højre/höger

serial number 27386-27387

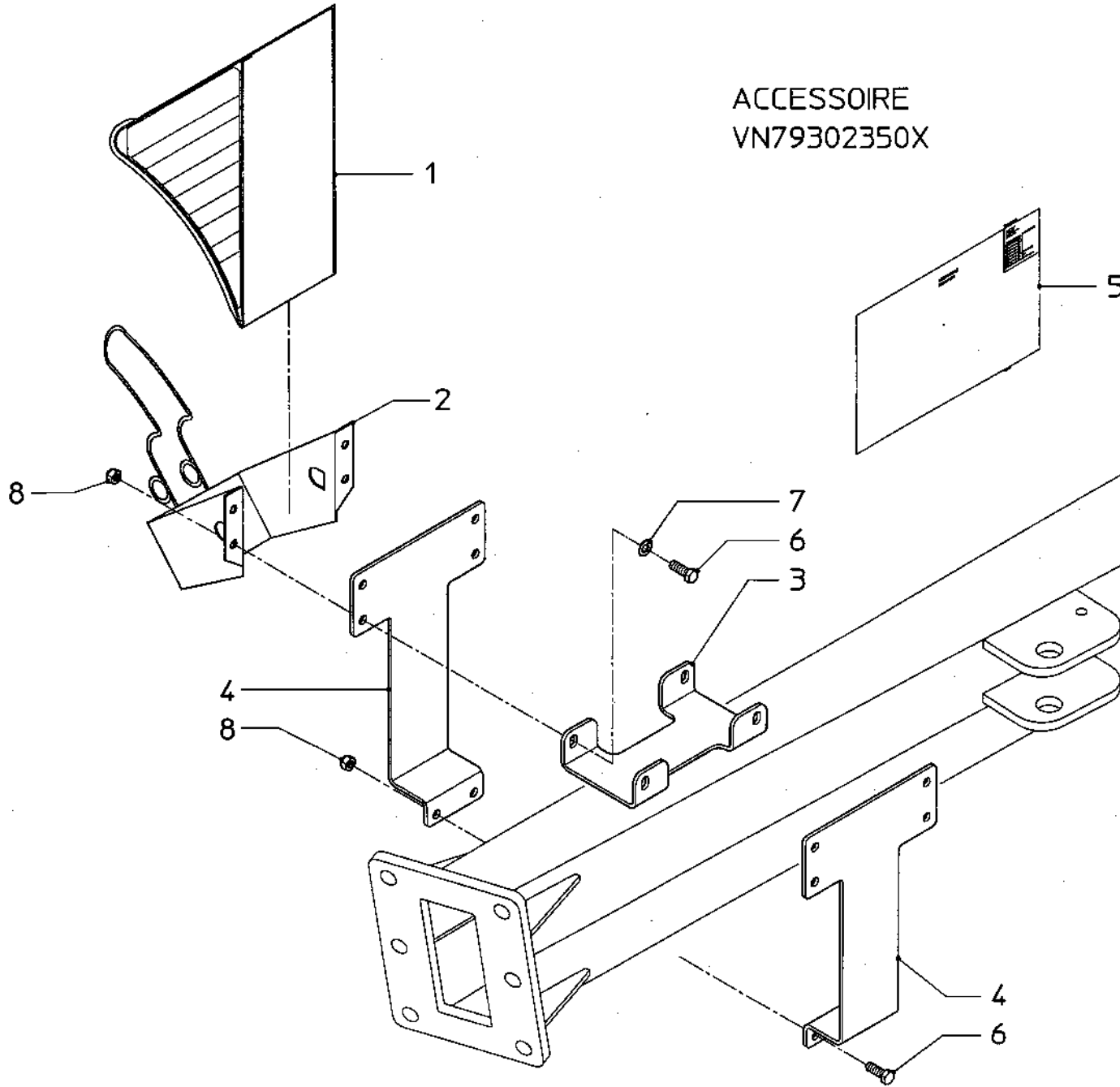
H10

KM 3200/4000 (2)

ACCESSOIRE
VN79302350X

bestelnummer
ordernumber
num. a commander
Bestellnummer

VN79302350X1		ACCESSOIRE
1	VNB2208578	2
2	VNB2208678	2
3	VNB3579086	1
4	VNB3626686	2
5	VN70009690	1
6	KG00472161	10 8.8-M8x25
7	KG01267361	4 8.4
8	KG01067561	10 8/M8/Nyloc



serial number 27387

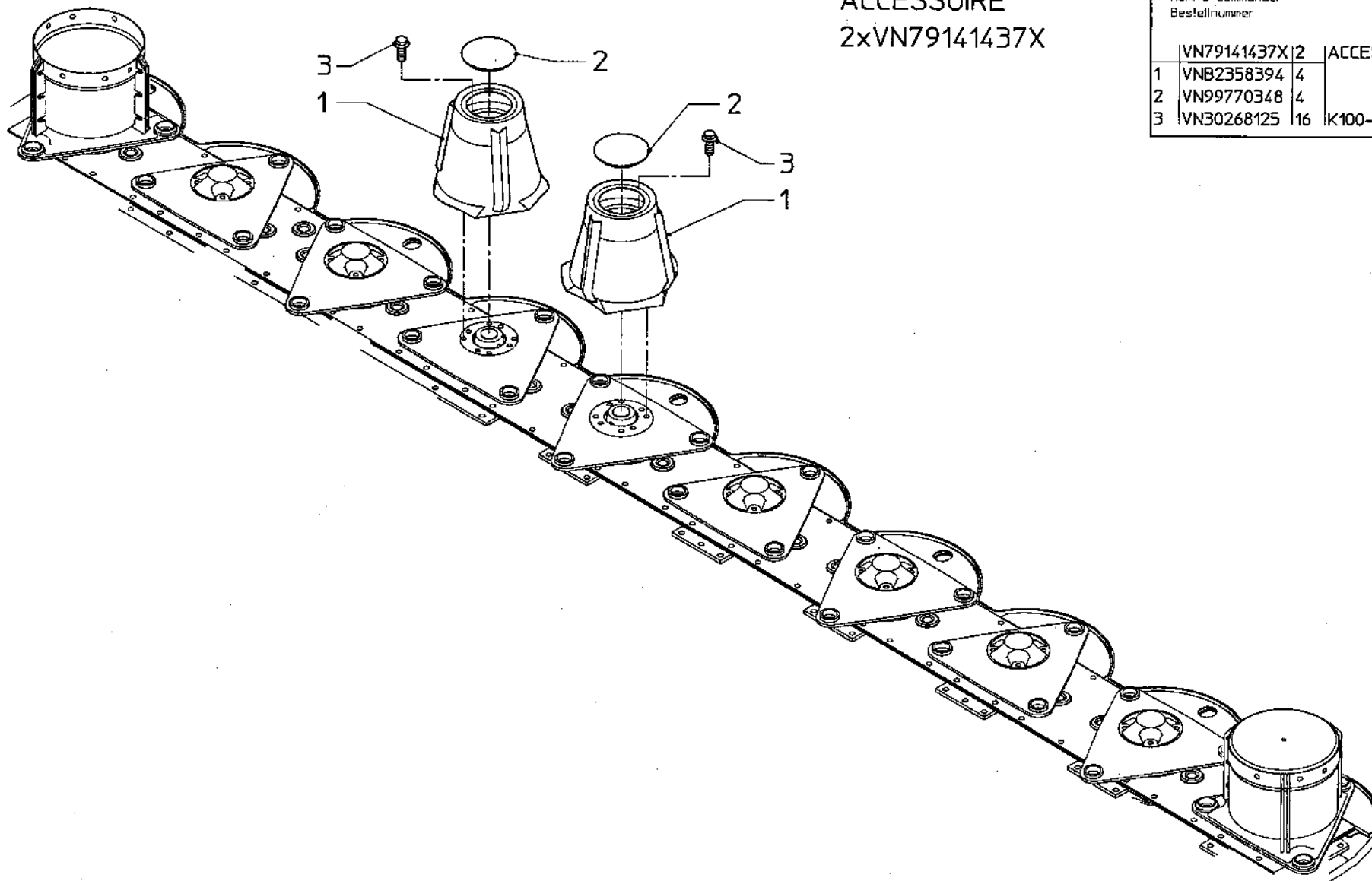
H11

KM 4000 (2)

ACCESSOIRE
2xVN79141437X

bestelnummer
ordernumber
num. a commander
Bestellnummer

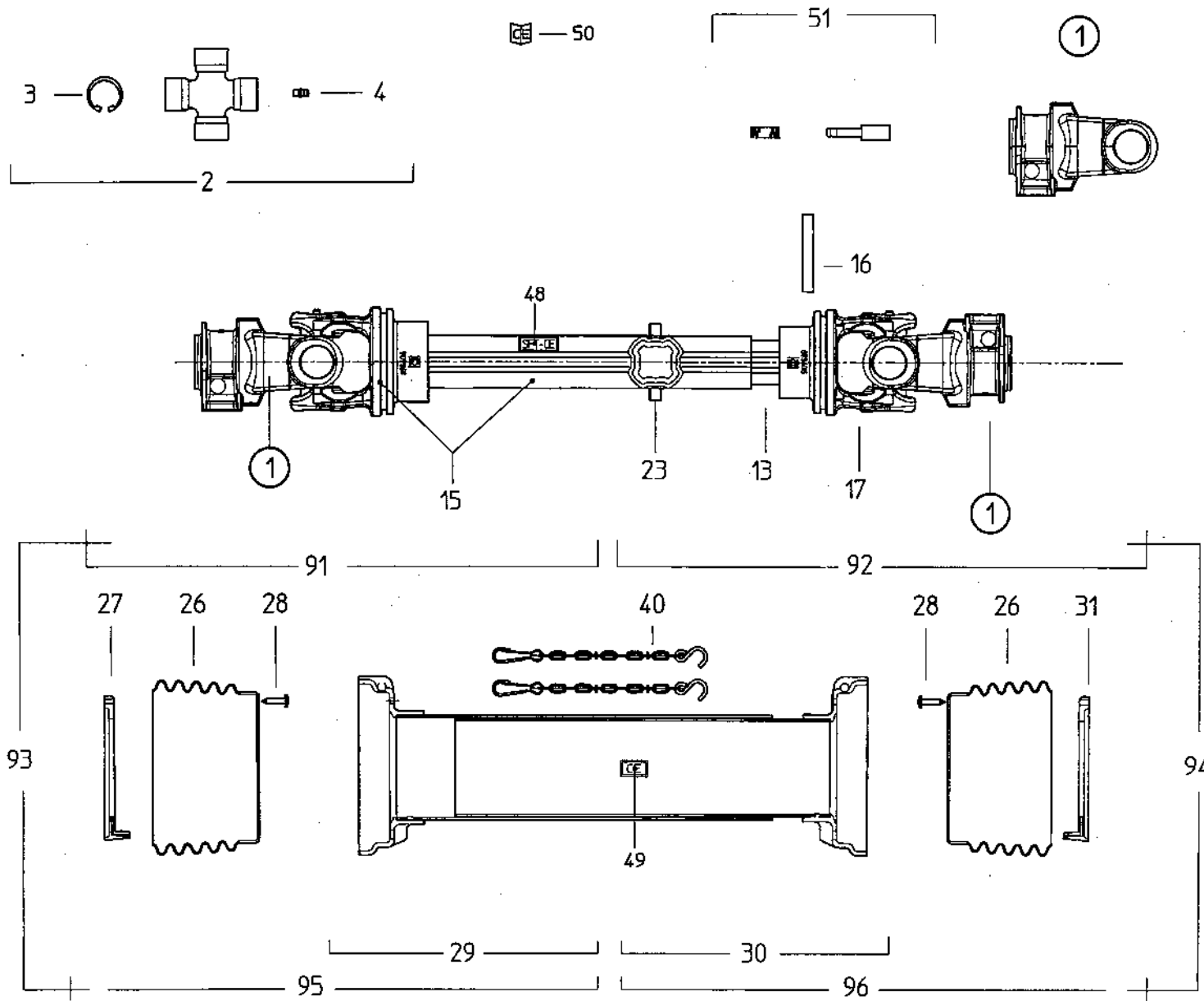
	VN79141437X	2	ACCESSOIRE
1	VNB2358394	4	
2	VN99770348	4	
3	VN30268125	16	K100-M10x25



serial number 27386-27387

C3

KM 3200/4000 (2)



bestellnummer
ordernumber
num. o commander
Bestellnummer

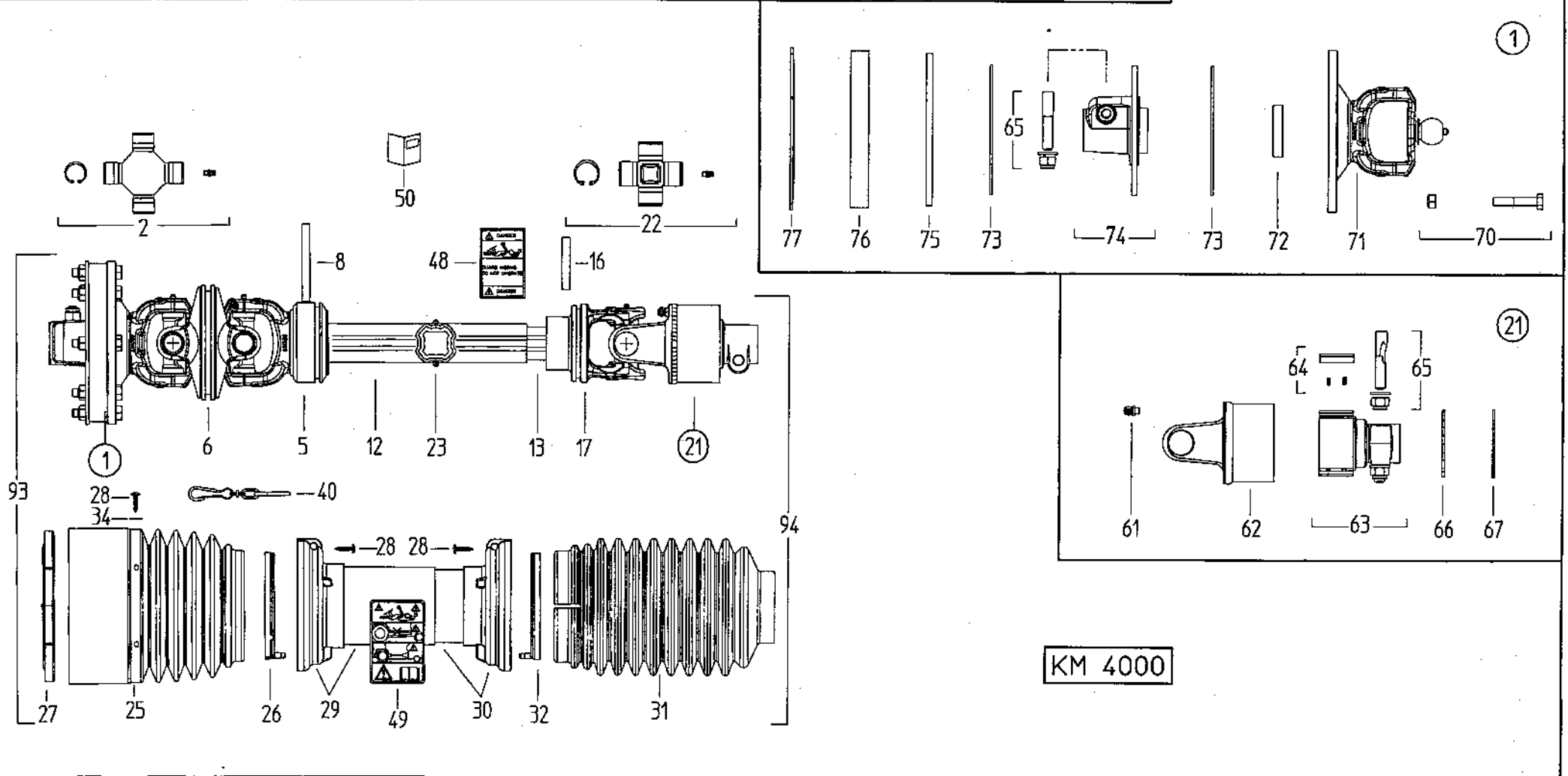
	VN47100101	1	
1	VN5070G0355	2	1 3/8"Z6
2	VN4120G0012	2	
3	VN338020000	8	1.30x1.50
4	VN348017000	1	6x1x6
13	VN2253N0440	1	L=440
15	VN50APG9023	1	
16	VN341043000	1	10x65
17	VN204S66854	1	
23	VN348018000	2	M6x1
26	VN2190G0201	2	50-60
27	VN2550G0001	1	60
28	VN310001431	6	4,8x22
29	VN5661G9137	1	
30	VN5662G9147	1	
31	VR2550G0002	1	60
40	VN252000033	2	L=524
48	VN399143000	1	
49	VN399CEE051	1	
50	VN399USA053	1	
51	VN403000001	1	
91	VNDS60054E0001	1	
92	VNDS60054I0001	1	
93	VNDS60054EE001	1	
94	VNDS60054IE001	1	
95	VN4ES605401CE	1	
96	VN4IS605401CE	1	

serial number 27387

C4

KM 4000 (2)

	VN47100105	1		22	VN4120G0012	1		40	VN252000033	1		70	VN432000054	1		
1	VN663G53902R	1	FT42	23	VN348018000	2	M8	48	VN399143000	1		71	VN2080G7402	1		
2	VN4120G0051	1		25	VN2190G0143	1		49	VN399CEE051	1		72	VN258005320	1		
5	VN2080G6869	1		26	VN2550G0001	1		50	VN399USA053	1		73	VN247006351	2		
6	VN2080G0064	1		27	VN2550G0024	1		61	VN348014000	1		74	VN515870305	1		
8	VN341103000	1	10x95	28	VN310001431	12		62	VN418052203	1		75	VN248870005	1		
12	VN237D03P63	1		29	VN5TKN1S6139F001	1		63	VN5150E0301	1		76	VN240000214	1		
13	VN2253N1250	1		30	VN5MKN1S6139F001	1		64	VN4210E0001	3		77	VN367FT420C	1		
16	VN341043000	1	10x65	31	VN2191G2015	1		65	VN408000047	2		93	VNDS6N139FXEK01	1	1/2 OUTER	
17	VN204S66854	1		32	VR2550G0002	1		66	VN246000132	1		94	VNDS6N139FXI001	1	1/2 INNER	
21	VN601205601R	1	RA2/5 DX1 3/8Z6	34	VN332001020	6		67	VN338005000	1	1.82x2,5					

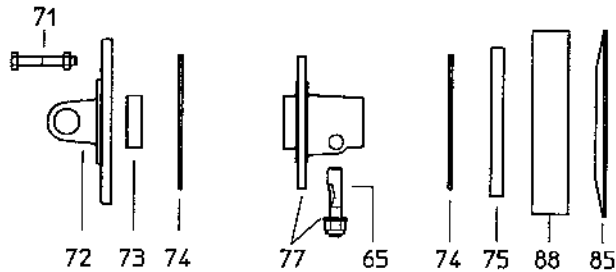
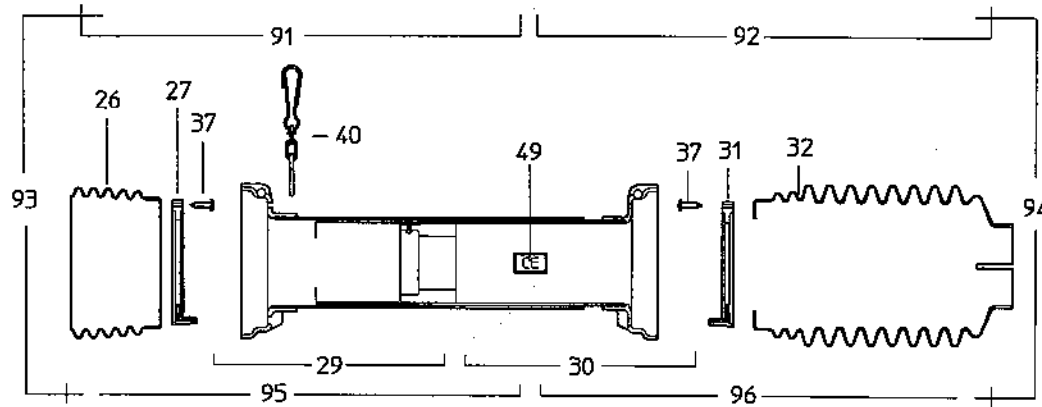
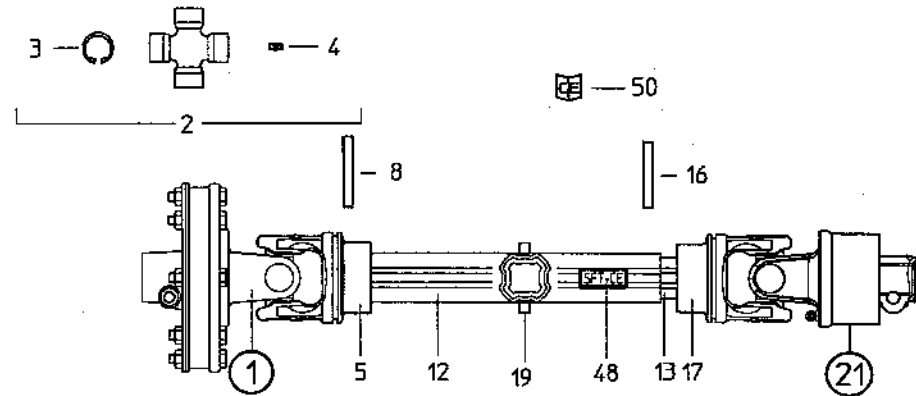


KM 4000

serial number 27386-27387

C5

KM 3200 (2)



①

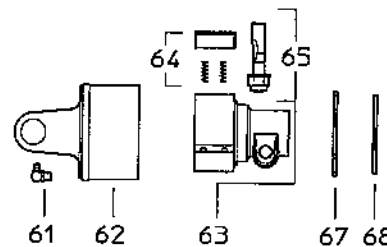
bestelnummer
ordernumber
num. a commander
Bestellnummer

	VN47100103	1	
1	VN663G53403R	1	FT42/56 1 3/8"
2	VN4120G0012	2	30,2x79,4
3	VN338020000	8	1,30x1,5
4	VN348017000	2	6x1x6
5	VN204S66853	1	
8	VN341042000	1	10x75

bestelnummer
ordernumber
num. a commander
Bestellnummer

12	VN237D03P54	1	L=1350
13	VN2253N1365	1	L=1365
16	VN341043000	1	10x65
17	VN204S66854	1	
19	VN348018000	2	M6x1
21	VN601205601R	1	
26	VN2190G0201	1	
27	VN2550G0001	1	60
29	VN5TN1S6150F001	1	
30	VN5MN1S6150F001	1	
31	VR2550G0002	1	60
32	VN2191G2015	1	50-60
37	VN310001431	6	4,8x22
40	VN252000033	1	L=524
48	VN399143000	1	
49	VN399CEE051	1	125x70
50	VN399USA053	1	
61	VN348014000	1	8x1,25x90°
62	VN418052203	1	
63	VN5150E0301	1	RL1 3/8"Z=6
64	VN4210E0001	3	
65	VN408000047	2	
67	VN246000132	1	
68	VN338005000	1	1,82x2,5
71	VN432000054	1	M10x55
72	VN253058701	1	
73	VN258005320	1	
74	VN247008701	2	162x85x3,2
75	VN248870005	1	
77	VN515870305	1	
85	VN3670081M0	1	202x123,5x4
88	VN240000214	1	
91	VNDS6N15000E001	1	
92	VNCS6N15000A501	1	
93	VNDS6N150FXE001	1	
94	VNDS6N150FXI001	1	
95	VN4ES6150FXS001	1	
96	VN4IS6150FXL001	1	

KM 3200



②

NUMERICAL INDEX / NUMMERN-VERZEICHNIS / INDEX NUMERIQUE / NUMERIEKE INDEX / INDICE DE NUMEROS

2 KM-NA													
Part no.	Page: 01	Part no.	Page: 02	Part no.	Page: 03	Part no.	Page: 04	Part no.	Page: 05	Part no.	Page: 06	Part no.	Page: 07
Teile-nr.	Selle	Teile-nr.	Selle	Teile-nr.	Selle	Teile-nr.	Selle	Teile-nr.	Selle	Teile-nr.	Selle	Teile-nr.	Selle
No. de ref.	Page	No. de ref.	Page	No. de ref.	Page	No. de ref.	Page	No. de ref.	Page	No. de ref.	Page	No. de ref.	Page
Onderd. nr.	Pagina	Onderd. nr.	Pagina	Onderd. nr.	Pagina	Onderd. nr.	Pagina	Onderd. nr.	Pagina	Onderd. nr.	Pagina	Onderd. nr.	Pagina
Nom. de pza	Pagina	Nom. de pza	Pagina	Nom. de pza	Pagina	Nom. de pza	Pagina	Nom. de pza	Pagina	Nom. de pza	Pagina	Nom. de pza	Pagina
KG00019500	G09	KG00474361	G06	KG01067561	G12	KG01259761	G12	KT56977000	C14	VN2191G2015	C04	VN30268140	G11
KG00021200	G09	KG00474361	G08	KG01067561	H02	KG01259761	H05	RG00045482	G04	VN2191G2015	C05	VN30268140	H02
KG00336261	G14	KG00474461	G02	KG01067561	H04	KG01260361	G02	VG19017027V	G02	VN2253N0440	C03	VN30268612	G11
KG00336261	G16	KG00474561	G04	KG01067561	H06	KG01260361	G04	VGBR552	G04	VN2253N1250	C04	VN30268820	G12
KG00353361	G10	KG00476461	G08	KG01067561	H10	KG01260361	H06	VGND2134V	G04	VN2253N1365	C05	VN30361110	G14
KG00353361	G12	KG00476661	G04	KG01067661	G02	KG01261061	G02	VGND90027	G08	VN237D03P54	C05	VN30361625	G08
KG00353461	G04	KG00476761	G04	KG01067661	G04	KG01261061	G04	VGND90027	G11	VN237D03P63	C04	VN30361820	H02
KG00353461	G06	KG00476761	G08	KG01067661	G06	KG01261061	H06	VGTA323V	G11	VN240000214	C04	VN30361820	H04
KG00353461	G08	KG00480461	G04	KG01067661	G08	KG01261461	H06	VGTR80	G02	VN240000214	C05	VN30361830	H04
KG00353461	G12	KG00483661	G06	KG01067661	G10	KG01261761	H05	VGTR1006	C13	VN246000132	C04	VN30656807	G02
KG00355361	G08	KG00839061	G04	KG01067661	G11	KG01267261	H02	VGTR1010	C13	VN246000132	C05	VN30803719	G14
KG00355461	G10	KG00639061	H06	KG01067761	G02	KG01267361	G02	VGTR1011	C13	VN247006351	C04	VN30804803	G04
KG00355761	G06	KG00639661	G02	KG01067761	G04	KG01267361	G09	VGTR1016	C13	VN247008701	C05	VN30804855	G14
KG00356261	H06	KG00641361	G04	KG01067761	G08	KG01267361	G12	VGTR1024	C13	VN248870005	C04	VN310001431	C03
KG00356561	G08	KG00644761	G08	KG01067961	G04	KG01267361	H02	VGTR1028	C13	VN248870005	C05	VN310001431	C04
KG00357861	G02	KG00644861	G08	KG01068161	G02	KG01267361	H04	VGTR2013	C13	VN252000033	C03	VN310001431	C05
KG00358161	G04	KG00644861	H06	KG01068161	G04	KG01267361	H06	VGTR2044	C13	VN252000033	C04	VN31103432	G14
KG00367061	G02	KG00702663	H08	KG01068161	G06	KG01267361	H10	VGTR2050	C13	VN252000033	C05	VN31415028	G09
KG00367461	G02	KG00702763	H08	KG01068861	H06	KG01267561	G02	VGTR2059	C13	VN253058701	C05	VN31419200	G14
KG00367861	G04	KG00935300	G02	KG01068961	H04	KG01267761	G04	VN10283503	G14	VN2550G0001	C03	VN31428085	G02
KG00468561	H08	KG01052161	G02	KG01068961	H06	KG01267961	G04	VN17871140	G04	VN2550G0001	C04	VN31471400	G06
KG00468961	H05	KG01052361	G06	KG01099300	G09	KG01267961	G06	VN17871304	G14	VN2550G0001	C05	VN332001020	C04
KG00469161	H02	KG01061161	G11	KG01110100	G09	KG01268161	G04	VN17871470	G14	VN2550G0024	C04	VN338005000	C04
KG00469361	G11	KG01061261	G12	KG01130500	G14	KG01381100	G09	VN17883651	G14	VN258005320	C04	VN338005000	C05
KG00471961	G02	KG01061361	G04	KG01130900	G09	KG01799800	G04	VN17883778	H05	VN258005320	C05	VN338020000	C03
KG00471961	G04	KG01061361	G08	KG01132300	G09	KG01799800	G09	VN18613484	G14	VN30257139	G14	VN338020000	C05
KG00471961	G09	KG01061361	G11	KG01186062	H09	KG01800000	G09	VN18645928	G14	VN30263845	G10	VN341042000	C05
KG00471961	G10	KG01061361	G14	KG01191862	G04	KG01802500	G04	VN19343282	G14	VN30268120	G04	VN341043000	C03
KG00471961	G12	KG01061361	G16	KG01191862	G06	KG01842600	C13	VN204S66853	C05	VN30268120	G11	VN341043000	C04
KG00472161	G04	KG01067361	G08	KG01192062	H09	KG01842800	C14	VN204S66854	C03	VN30268125	G08	VN341043000	C05
KG00472161	H02	KG01067361	H02	KG01192162	G06	KG01843600	C14	VN204S66854	C04	VN30268125	G14	VN341103000	C04
KG00472161	H10	KG01067361	H05	KG01194162	H02	KG01845900	C14	VN204S66854	C05	VN30268125	G16	VN348014000	C04
KG00472261	G02	KG01067361	H08	KG01259261	G08	KT56965000	C14	VN2080G0064	C04	VN30268125	H04	VN348014000	C05
KG00472461	H02	KG01067561	G02	KG01259261	H08	KT56966000	C14	VN2080G6869	C04	VN30268125	H11	VN348017000	C03
KG00474061	H09	KG01067561	G04	KG01259361	G11	KT56967000	C14	VN2080G7402	C04	VN30268130	G08	VN348017000	C05
KG00474261	G02	KG01067561	G06	KG01259761	G02	KT56972000	C14	VN2190G0143	C04	VN30268130	G11	VN348018000	C03
KG00474261	G06	KG01067561	G08	KG01259761	G04	KT56974000	C14	VN2190G0201	C03	VN30268130	G14	VN348018000	C04
KG00474261	H06	KG01067561	G10	KG01259761	G10	KT56976000	C14	VN2190G0201	C05	VN30268130	G16	VN348018000	C05

NUMERICAL INDEX / NUMMERN-VERZEICHNIS / INDEX NUMERIQUE / NUMERIEKE INDEX / INDICE DE NUMEROS

2 KM-NA													
Part no.	Page: 08	Part no.	Page: 09	Part no.	Page: 10	Part no.	Page: 11	Part no.	Page: 12	Part no.	Page: 13	Part no.	Page: 14
Teil-nr.	Selle	Teil-nr.	Selle	Teil-nr.	Selle	Teil-nr.	Selle	Teil-nr.	Selle	Teil-nr.	Selle	Teil-nr.	Selle
No. de ref.	Page	No. de ref.	Page	No. de ref.	Page	No. de ref.	Page	No. de ref.	Page	No. de ref.	Page	No. de ref.	Page
Onderd. nr.	Pagina	Onderd. nr.	Pagina	Onderd. nr.	Pagina	Onderd. nr.	Pagina	Onderd. nr.	Pagina	Onderd. nr.	Pagina	Onderd. nr.	Pagina
Nom. de pza	Pagina	Nom. de pza	Pagina	Nom. de pza	Pagina	Nom. de pza	Pagina	Nom. de pza	Pagina	Nom. de pza	Pagina	Nom. de pza	Pagina
VN36107377	G14	VN41702899	G04	VN65410171	H04	VNB0840493	G02	VNB1732678	H02	VNB3219102	G12	VNB3420086	G04
VN36107379	G14	VN418052203	C04	VN65450080	G14	VNB0903374	C13	VNB1743093	H09	VNB3270193	G02	VNB3420178	G02
VN36107380	G14	VN418052203	C05	VN663G53403R	C05	VNB1008893	H09	VNB1798493	G02	VNB3272486	G06	VNB3420286	G04
VN36107420	H05	VN4210E0001	C04	VN70009690	H10	VNB1191286	G14	VNB1841086	H09	VNB3278986	G02	VNB3420593	G02
VN36112056	G14	VN4210E0001	C05	VN79141323	H04	VNB1282393	H09	VNB1847378	H08	VNB3280293	G06	VNB3420686	G02
VN36510023	G14	VN432000054	C04	VN79141437	H11	VNB1282578	G14	VNB1870178	G14	VNB3286386	G06	VNB3452378	H08
VN3670081M0	C05	VN432000054	C05	VN79141614	G14	VNB1290893	G14	VNB1870178	G16	VNB3286593	G06	VNB3452478	H08
VN367FT420C	C04	VN43460903	G04	VN79141614	G16	VNB1294302	G14	VNB1943074	C13	VNB3287478	G02	VNB3470278	G06
VN38820246	H05	VN43603120	G04	VN79141621	H04	VNB1310474	C13	VNB2025498	G04	VNB3288478	G10	VNB3470378	H05
VN38820247	H05	VN43608121	G04	VN79141622	H04	VNB1357086	G14	VNB2071574	C13	VNB3290493	G04	VNB3470686	H06
VN38820248	H05	VN46170003	H02	VN79142071	G16	VNB1357186	G14	VNB2071774	C13	VNB3290993	G06	VNB3470786	H06
VN38830950	G08	VN47100101	C03	VN79300256	H04	VNB1359002	G14	VNB2091678	G09	VNB3291093	G06	VNB3470986	G04
VN399143000	C03	VN47100101	G02	VN79300654	G14	VNB1359786	G14	VNB2151878	H02	VNB3299286	G08	VNB3487986	G09
VN399143000	C04	VN47100103	C05	VN79300655	G14	VNB1361286	G14	VNB2151978	H02	VNB3299286	G09	VNB3488093	G09
VN399143000	C05	VN47100103	G02	VN79300812	G14	VNB1361586	G14	VNB2170078	H04	VNB3303986	G06	VNB3488178	G09
VN399CEE051	C03	VN47100105	C04	VN79300812	G16	VNB1361686	G14	VNB2170478	H04	VNB3310094	G04	VNB3488202	G09
VN399CEE051	C04	VN47100105	G02	VN79301116	G04	VNB1374593	H04	VNB2208578	H10	VNB3319586	G08	VNB3488302	G09
VN399CEE051	C05	VN48523001	H08	VN79301513	H04	VNB1433093	G02	VNB2208678	H10	VNB3320486	G08	VNB3488402	G09
VN399USA053	C03	VN48523002	H08	VN79302326	H08	VNB1433093	G04	VNB2227086	H06	VNB3327386	G08	VNB3488578	G09
VN399USA053	C04	VN48523003	H08	VN79302327	H08	VNB1519586	G14	VNB2280294	H04	VNB3347093	G04	VNB3505886	G12
VN399USA053	C05	VN4ES605401CE	C03	VN79302328	H06	VNB1519686	G14	VNB2294074	C13	VNB3351894	G04	VNB3506086	G10
VN40101527	G14	VN4ES6150FXS00	C05	VN79302350	H10	VNB1604878	G04	VNB2358394	H11	VNB3353994	G11	VNB3506378	G12
VN40117211	G14	VN4IS605401CE	C03	VN79302567	H09	VNB1612474	C13	VNB2493502	H04	VNB3360194	G11	VNB3506494	G12
VN40119112	G09	VN4IS6150FXL00	C05	VN90070360	G14	VNB1612502	H02	VNB2605586	G08	VNB3360386	G11	VNB3506502	G12
VN40130207	G14	VN507DG0355	C03	VN90081616	G16	VNB1612602	H02	VNB2648086	G14	VNB3360586	G11	VNB3506678	G10
VN40227030	G06	VN50APG9023	C03	VN90081617	G16	VNB1613286	H04	VNB2648286	G14	VNB3360794	G11	VNB3506702	G10
VN40233560	G04	VN5150E0301	C04	VN90081618	G14	VNB1621186	G14	VNB2721386	H04	VNB3392286	G10	VNB3506802	G10
VN403000001	C03	VN5150E0301	C05	VN90081618	G16	VNB1658693	G06	VNB2721586	H04	VNB3392594	G11	VNB3526186	G04
VN40709308	G02	VN515870305	C04	VN90081623	G12	VNB1658793	G06	VNB2812986	G12	VNB3392878	G11	VNB3526286	G04
VN408000047	C04	VN515870305	C05	VN90090190	C13	VNB1658893	G06	VNB2813086	G10	VNB3392986	G12	VNB3526686	H06
VN408000047	C05	VN5661G9137	C03	VN90258699	H04	VNB1662593	G06	VNB2813086	G12	VNB3393094	G11	VNB3526702	G10
VN4120G0012	C03	VN5662G9147	C03	VN90258700	H04	VNB1666493	H02	VNB2815202	G10	VNB3393286	G11	VNB3526986	H06
VN4120G0012	C04	VN5MKN1S6139F0	C04	VN90284912	G14	VNB1667493	H02	VNB2822600	C13	VNB3393478	G12	VNB3527086	H06
VN4120G0012	C05	VN5MN1S6150F00	C05	VN90296323	G14	VNB1667593	H02	VNB2825493	G06	VNB3393586	G12	VNB3527186	H06
VN4120G0051	C04	VN5TKN1S6139F0	C04	VN97870841	G10	VNB1672286	G02	VNB2854878	H05	VNB3393778	G11	VNB3557294	H04
VN41701200	G02	VN5TN1S6150F00	C05	VN98664785	H04	VNB1683486	H02	VNB2869394	H04	VNB3394094	G11	VNB3560894	G12
VN41702600	G06	VN601205601R	C04	VN99770348	H11	VNB1684886	H02	VNB3206186	G12	VNB3419886	H05	VNB3561186	G06
VN41702800	H02	VN601205601R	C05	VNB0622186	H02	VNB1691186	H02	VNB3207194	G12	VNB3419986	H05	VNB3561286	H05

NUMERICAL INDEX / NUMMERN-VERZEICHNIS / INDEX NUMERIQUE / NUMERIEKE INDEX / INDICE DE NUMEROS

2 KM-NA

Part no.	Page: 15	Part no.	Page: 16
Teile-nr.	Selle	Teile-nr.	Selle
No. de ref.	Page	No. de ref.	Page
Onderd. nr.	Pagina	Onderd. nr.	Pagina
Nom. de pza	Pagina	Nom. de pza	Pagina
VNB3561378	G02	VNB3663878	H08
VNB3561478	G02	VNB3663978	H08
VNB3561793	G06	VNB3664178	H08
VNB3561894	G04	VNB3670502	G04
VNB3570986	G08	VNB3783086	G14
VNB3571278	G06	VNB3783186	G08
VNB3571386	G06	VNB3811386	H09
VNB3571593	G06	VNB3811486	H09
VNB3571893	H05	VNB3811586	H09
VNB3571902	H05	VNB3812494	G02
VNB3572078	H05	VNB3813294	G04
VNB3572178	H05	VNB3928586	G08
VNB3572278	H05	VNB3930286	G08
VNB3572393	G04	VNB4066893	G02
VNB3572478	G04	VNCS6N15000A50	C05
VNB3572794	G02	VNDS60054E0001	C03
VNB3572902	G10	VNDS60054EE001	C03
VNB3577593	G08	VNDS60054I0001	C03
VNB3577678	G09	VNDS60054IE001	C03
VNB3577894	G06	VNDS6N139FXEK0	C04
VNB3578074	C13	VNDS6N139FXI00	C04
VNB3578174	C13	VNDS6N15000E00	C05
VNB3578286	G02	VNDS6N150FXE00	C05
VNB3578386	G02	VNDS6N150FXI00	C05
VNB3578486	H08	VR2550G0002	C03
VNB3578694	G04	VR2550G0002	C04
VNB3578986	G02	VR2550G0002	C05
VNB3579086	H10		
VNB3619878	H08		
VNB3620578	H08		
VNB3620978	H08		
VNB3621478	H08		
VNB3626686	H10		
VNB3626886	H08		
VNB3626986	H08		
VNB3627086	H08		
VNB3628978	G02		
VNB3628978	G04		

Modification report KM 3200/4000
 Wijzigingsrapport KM 3200/4000
 Le rapport adapté KM 3200/4000
 Änderungs nachricht KM 3200/4000

Serial number old	Serial number new
Sériennummer oud	Sériennummer nieuw
Numéro de série ancien	Numéro de série nouveau
Sériennummer alt	Sériennummer neu
27385-2 KM 2800	27386-3 KM 3200
27386-2 KM 3200	27387-4 KM 4000
27387-2 KM 4000	Spare parts book number new
Spare parts -book number old	Onderdelenboek nummer nieuw
Onderdelenboek nummer oud	Liste de pièces de rechange nouveau
Liste de pièces de rechange ancien	Ersatzteilbuchnummer neu
Ersatzteilbuchnummer alt	700096772
700096772	700096773

REMOVED/VERWIJDERD	DESCRIPTION	ADDED/TOEGEVOEGD
C13		
1xVGTTR2065	Sticker locking	3xVGTTR2059
1xVGTTR2059	Sticker cutting area	1xKG01842600
	Sticker locking	
C14		
	Sticker crushing of body	1xKG01845900
	Sticker shut of engine	2xKG01842800
	Sticker lock before transport	1xKG01843600
	Sticker caution	1xKT56977000
	Sticker danger	2xKT56967000
	Sticker warning	1xKT56974000
	Sticker warning	1xKT56976000
	Sticker warning	1xKT56966000
	Sticker warning	1xKT56965000
	Sticker danger	1xKT56972000
G1-2		
1x	KM 2800	
4xKG00477161	Hex.screw 8.8-M12x60	1xKG01067561
3xKG01067561	Lock nut 8/M8/Nyloc	4xKG00357861
	Hex.bolt 8.8-M12x65	4xKG01267561
	Plain washer 13	10xVN30565807
	Popnut M8	2xVNB4066893
	Sleeve	4xVN31428085
	Shim 35x45x1	2xKG00935300
	Set screw 14.9-M8x10	1xVN47100105
	PTO drive shaft	
D3-4		
1x	KM 2800	
G3-4		
1xVNB3420094	Brace	1xVNB3420086
1xVNB3420294	Bracket	1xVNB3420286
	Cone bearing 30208	1xKG01799800
	Cone bearing 30211	1xKG01802500
	Sealing	1xVGBR552
	deliver	1xVNB3420086
	deliver	1xVNB3420286
G5-6		
1x	KM 2800	
G7-8		
1xVNB3571086	Frame 2800	1xVNB3928586
1xVNB3578786	Frame 4000	1xVNB2605586
1xVNB1895686	Mower bar suspension left	10(14)xKG01067761
8(12)xKG01067761	Lock nut 8/M12/Nyloc	1xKG00476461
	Hex.screw 8.8-M12x25	1xKG00644861
	Mushroom head bolt 8.8-M12x30	1xVNB3930286
	Plate	
Subsequent delivery:		
For 1x VNB3420094		
For 1x VNB3420294		

Subsequent delivery: For 1x VNB3578786		1xVNB3928586
G10		
1xVNB3420786	Protection frame rear 2800	
1xVNB3469978	Protection curtain raer 2800	
1xVNB2814702	Alu profile L=1092 (2800)	
1xVNB3578802	Alu profile L=390 (2800)	
7(8)x KG01067561	Lock nut 8/M8/Nyloc	
14xKG01067561	Lock nut 8/M8/Nyloc	21(22)xKG01067561
G12		
1xVNB3217186	Protection frame front 2800	
1xVNB3344978	Protection curtain front 2800	
1xVNB3218902	Profile shield 2800	
1xVNB3219394	Angle 2800	
G13-14		
1xVN79300811	Cutterbar 2800	
26(32)xVN30268125	Hex.lock bolt K100-M10x25/Tensiloc	32(40)xVN30268125
26(32)xKG01061361	Hex.lock nut K10/M10/Tensiloc	32(40)xKG01061361
	Guard plate	2xVNB1361286
	Strip	2(1)xVNB1191286
	Support plate	6(5)xVN18645928
	Strip 4000	1xVNB3783086
	Skid left	1xVNB1361586
	Skid right	1xVNB1361686
	Skid	6(8)xVN18613484
G15-16		
1xVN79300811	Cutterbar 2800	
	Repair kit plug cutterbar	1xVN79142071
H3-4		
1xVN79300811	Cutterbar 2800	
1x	Discs drums and knives 2800	
6(8)xVN30268125	Hex.lock bolt K100-M10x25/Tensiloc	
6(8)xKG01061361	Hex.lock nut K10/M10/Tensiloc	
2xVNB1361286	Guard plate	
2(1)xVNB1191286	Strip	
6(5)xVN18645928	Support plate	
1xVNB3783086	Strip 4000	
1xVNB1361586	Skid left	
1xVNB1361686	Skid right	
6(8)xVN18613484	Skid	
H5		
1x	Hydraulic scheme 2800	
H7-8		
1xVNB3664078	Electric cable left L=300	
1xVNB3578494	Support strip	1xVNB3578486
Subsequent delivery: For 1x VNB3578494		
H11		
	deliver	1xVNB3578486
	Set caps for aggressive crop flow 380 (2)	2xVN79141437X
	Drum triangular disc 380	4xVNB2368394
	Cap	4xVN99770348
	Hex.lock bolt K100-M10x25/Tensiloc	16xVN30268125
C1	PTO shaft	C3 1xVN47100101
C2	PTO shaft	C5 1xVN47100103
C4	PTO shaft	1xVN47100105



KM 2800/3200/4000

01327/01141 ≥Mach ID

**Kverneland Group Nieuw-Vennep B.V.
Hoofdweg 1278
NL-2153 LR Nieuw-Vennep
The Netherlands**

© Kverneland group

All rights reserved. No part of this book may be reproduced, stored in a database or retrieval system, or published in any form or in any way, electronically, mechanically, optically, by print, photo print, microfilm (including micro and macro fiche), or any other means, including all video and CD systems, without prior written permission from the publisher.

